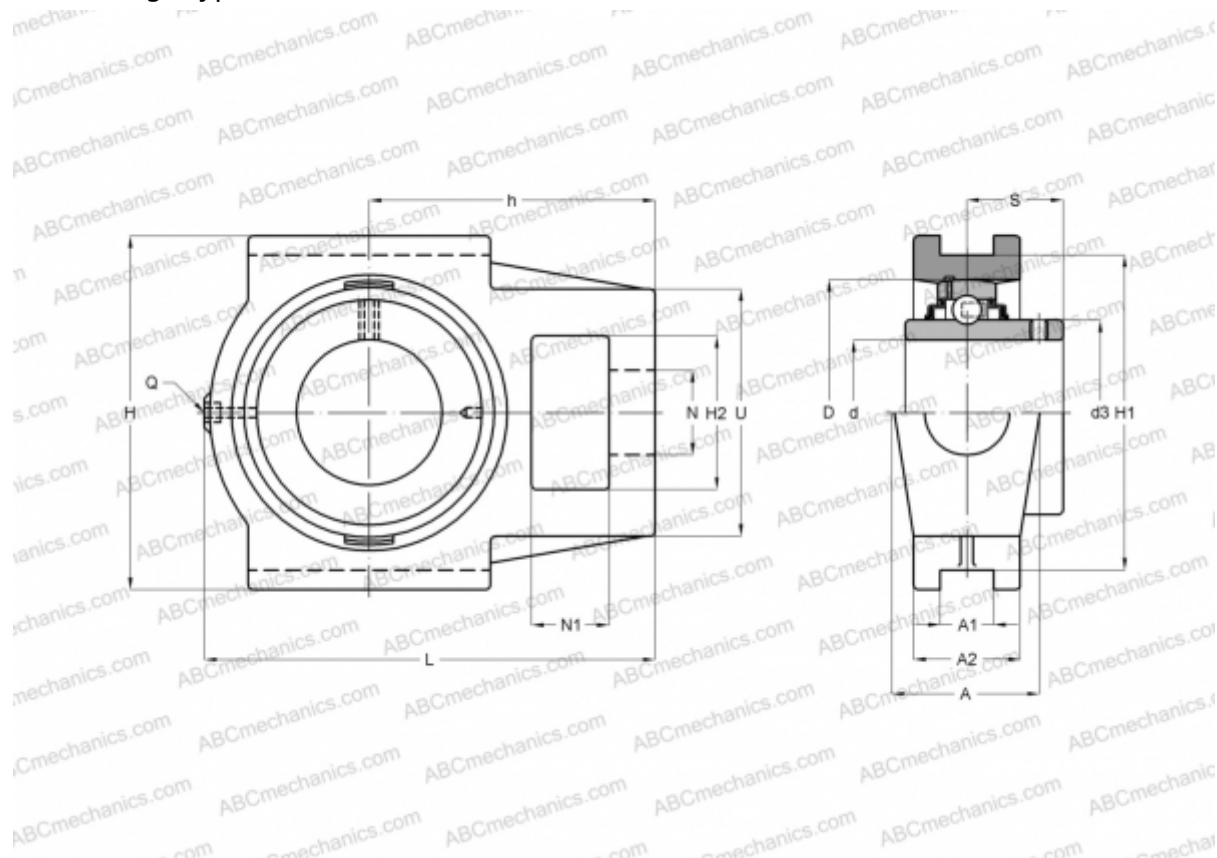


UCT 212 ASAHI

Ball bearing units

TYPE: Housing units, Take-up housing units, Cast iron housing, Radial insert ball bearing with grub screws in inner ring, Type UCT (ASAHI)



Technical specification

DIMENSIONS, MM

d	60,000
D	110,000
B	65,100
L	194,000
H	146,000
A	64,000
H2	64,000
A1	22,000
A2	42,000
H1	130,000
N	35,000
N1	32,000
S	39,700
d3	77,000
U	102,000

DIMENSIONS, MM

h	119,000
---	---------

WEIGHT, KG

	5,100
Bearing	UC 212
Housing	T 212

MANUFACTURER

[ASAHI](#)