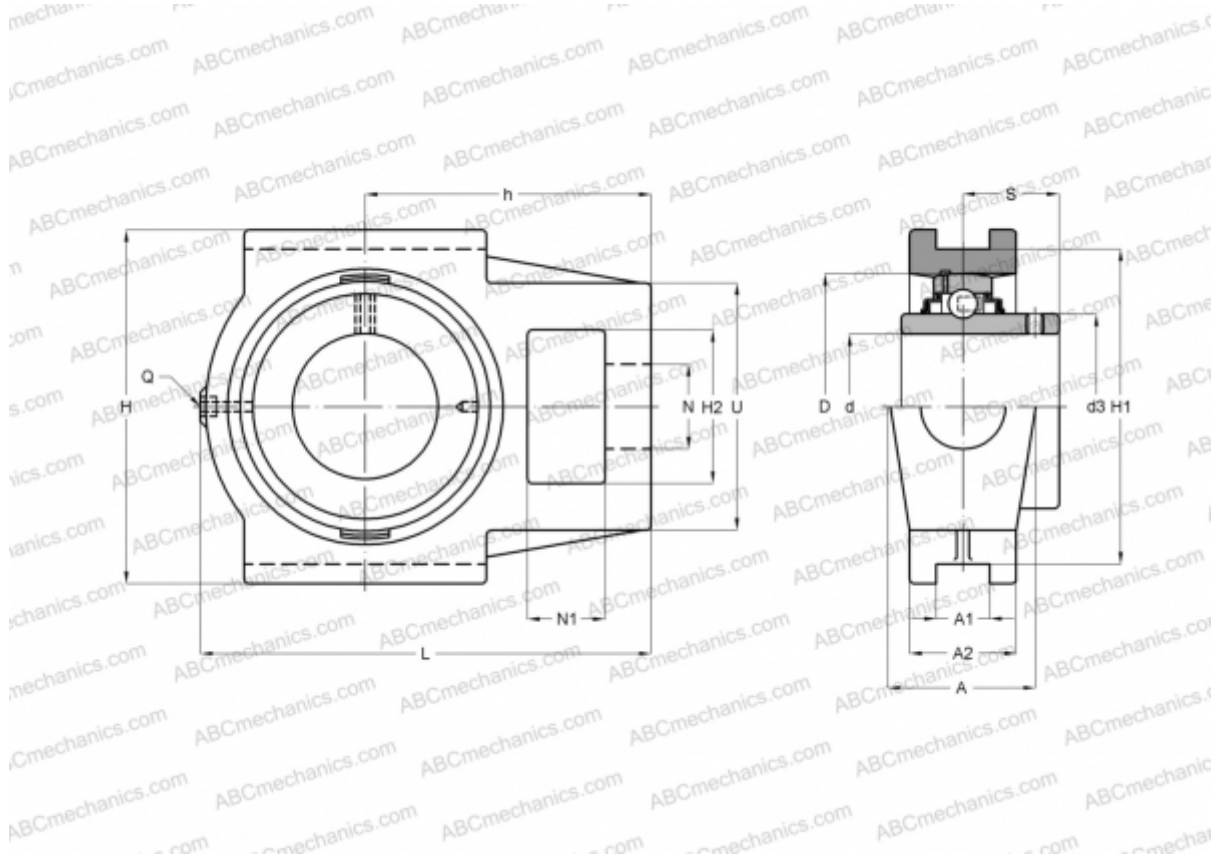


UCT 305 ASAHI

Ball bearing units

TYPE: Housing units, Take-up housing units, Cast iron housing, Radial insert ball bearing with grub screws in inner ring, Type UCT (ASAHI)



Technical specification

DIMENSIONS, MM

d	25,000
D	62,000
B	38,000
L	122,000
H	89,000
A	36,000
H2	36,000
A1	12,000
A2	26,000
H1	80,000
N	26,000
N1	16,000
S	23,000
d3	36,900
U	62,000

DIMENSIONS, MM

h	76,000
---	--------

WEIGHT, KG

1,400	
Bearing	UC 305
Housing	T 305

MANUFACTURER

[ASAHI](#)