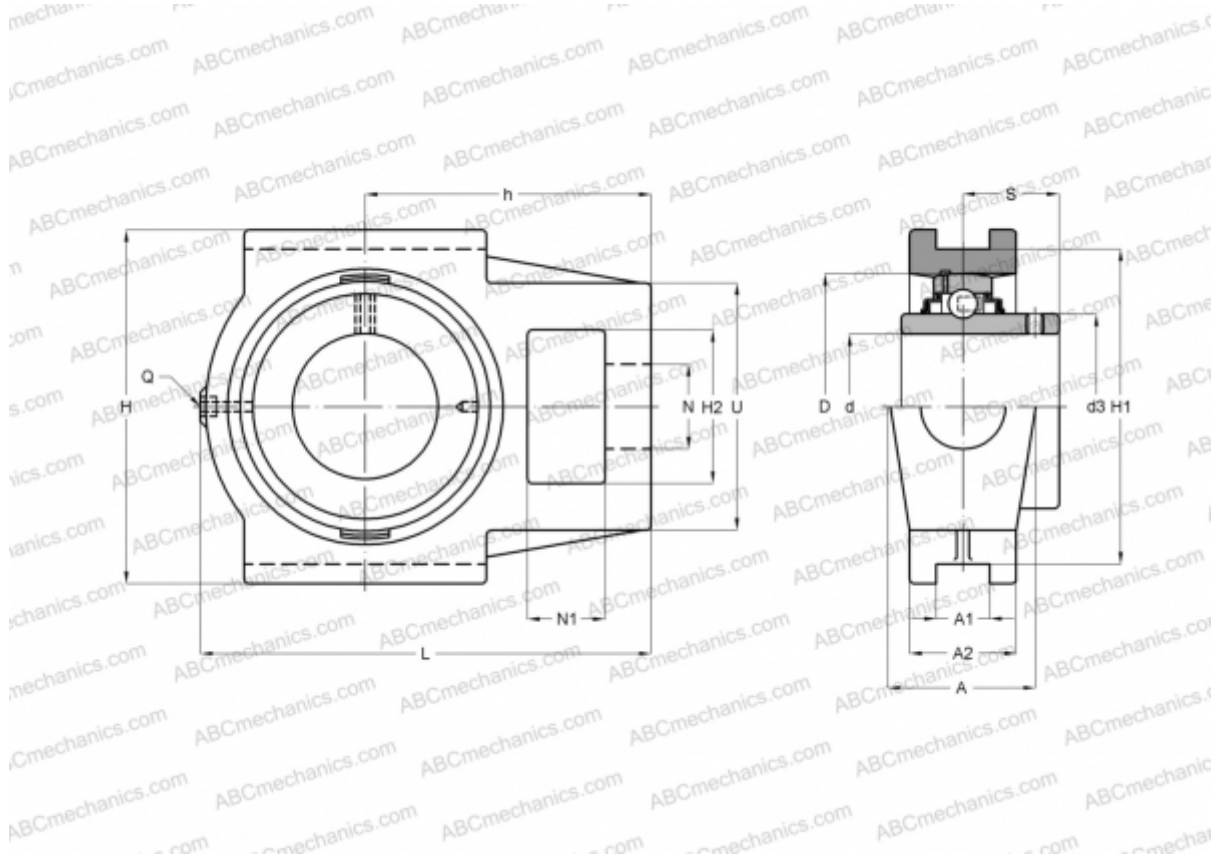


UCT 308 ASAHI

Ball bearing units

TYPE: Housing units, Take-up housing units, Cast iron housing, Radial insert ball bearing with grub screws in inner ring, Type UCT (ASAHI)



Technical specification

DIMENSIONS, MM

| | |
|----|---------|
| d | 40,000 |
| D | 90,000 |
| B | 52,000 |
| L | 162,000 |
| H | 124,000 |
| A | 50,000 |
| H2 | 50,000 |
| A1 | 18,000 |
| A2 | 34,000 |
| H1 | 112,000 |
| N | 32,000 |
| N1 | 22,000 |
| S | 33,000 |
| d3 | 56,000 |
| U | 83,000 |

DIMENSIONS, MM

| | |
|---|---------|
| h | 100,000 |
|---|---------|

WEIGHT, KG

| | |
|---------|--------|
| Bearing | UC 308 |
| Housing | T 308 |

MANUFACTURER

[ASAHI](#)