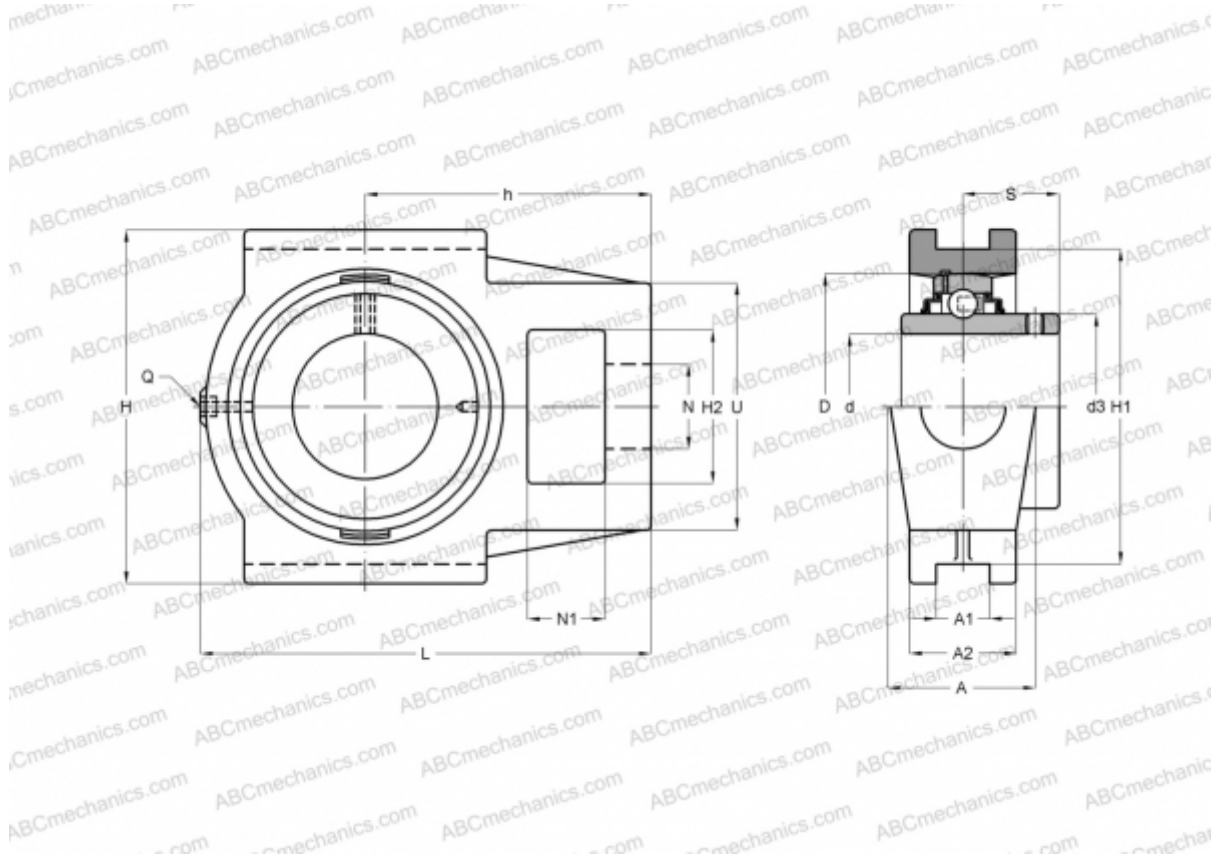


UCT 309 ASAHI

Ball bearing units

TYPE: Housing units, Take-up housing units, Cast iron housing, Radial insert ball bearing with grub screws in inner ring, Type UCT (ASAHI)



Technical specification

DIMENSIONS, MM

| | |
|----|---------|
| d | 45,000 |
| D | 100,000 |
| B | 57,000 |
| L | 178,000 |
| H | 138,000 |
| A | 55,000 |
| H2 | 55,000 |
| A1 | 18,000 |
| A2 | 38,000 |
| H1 | 125,000 |
| N | 34,000 |
| N1 | 24,000 |
| S | 35,000 |
| d3 | 63,000 |
| U | 90,000 |

DIMENSIONS, MM

| | |
|---|---------|
| h | 110,000 |
|---|---------|

WEIGHT, KG

| | |
|---------|--------|
| | 4,100 |
| Bearing | UC 309 |
| Housing | T 309 |

MANUFACTURER

[ASAHI](#)