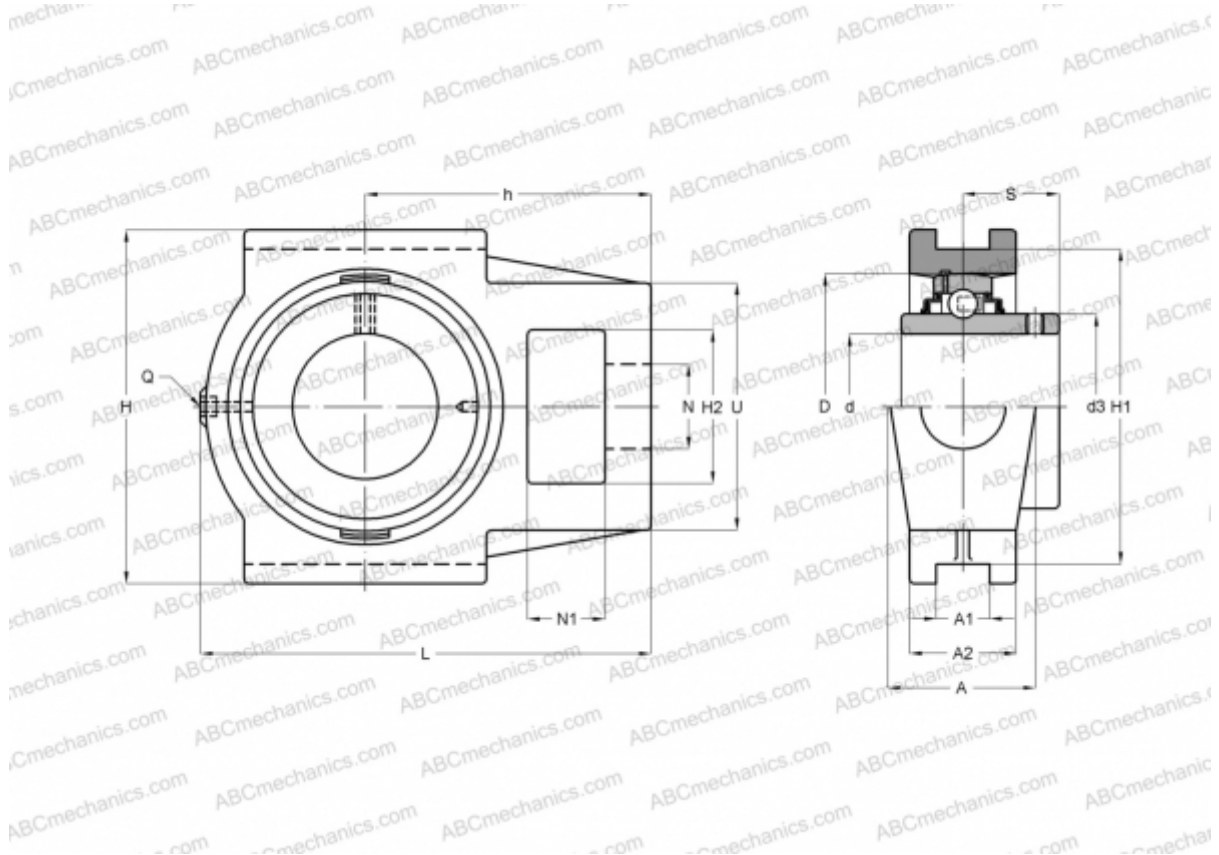


## UCT 310 ASAHI

Ball bearing units

TYPE: Housing units, Take-up housing units, Cast iron housing, Radial insert ball bearing with grub screws in inner ring, Type UCT (ASAHI)



### Technical specification

#### DIMENSIONS, MM

d	50,000
D	110,000
B	61,000
L	191,000
H	151,000
A	61,000
H2	61,000
A1	20,000
A2	40,000
H1	140,000
N	37,000
N1	27,000
S	39,000
d3	70,500
U	98,000

#### DIMENSIONS, MM

h	117,000
---	---------

#### WEIGHT, KG

Weight	52,000
Bearing	UC 310
Housing	T 310

#### MANUFACTURER

[ASAHI](#)