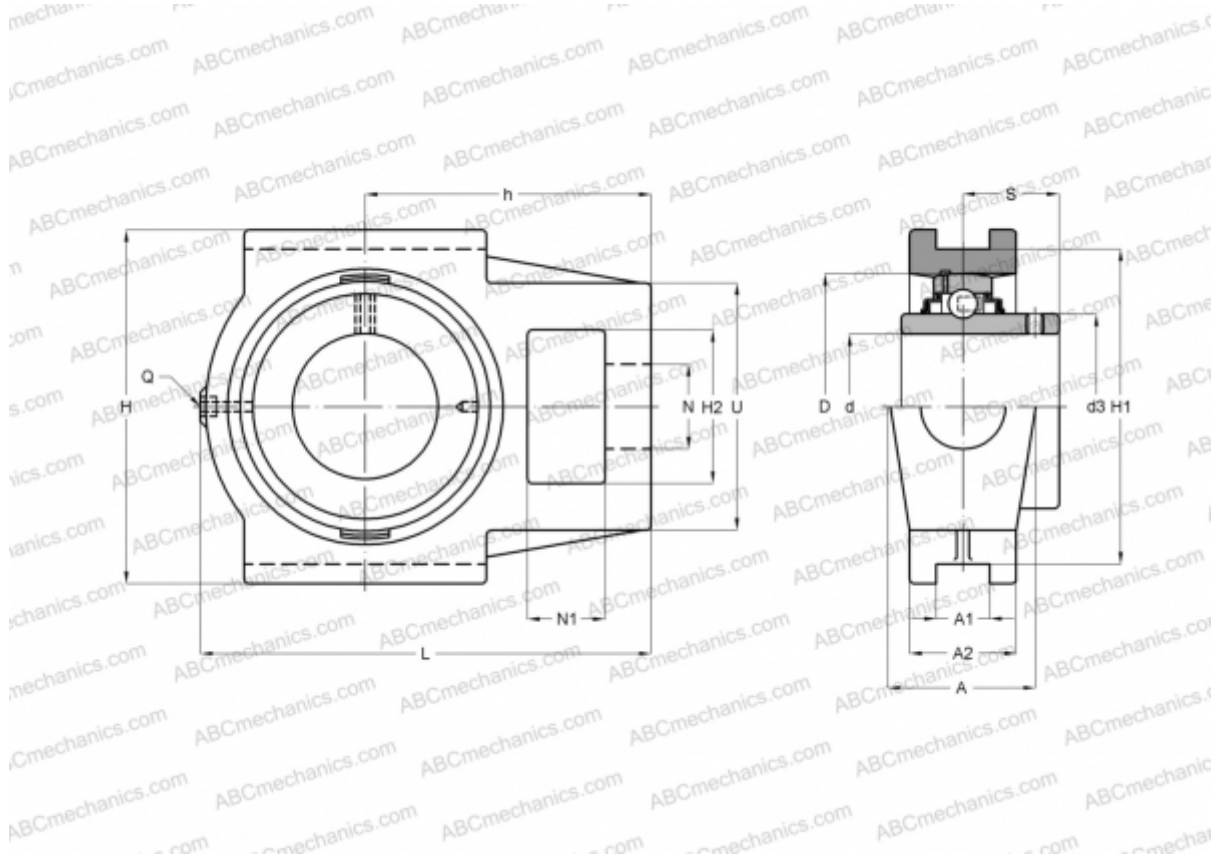


UCT 313 ASAHI

Ball bearing units

TYPE: Housing units, Take-up housing units, Cast iron housing, Radial insert ball bearing with grub screws in inner ring, Type UCT (ASAHI)



Technical specification

DIMENSIONS, MM

| | |
|----|---------|
| d | 65,000 |
| D | 140,000 |
| B | 75,000 |
| L | 238,000 |
| H | 190,000 |
| A | 80,000 |
| H2 | 70,000 |
| A1 | 26,000 |
| A2 | 50,000 |
| H1 | 170,000 |
| N | 43,000 |
| N1 | 32,000 |
| S | 45,000 |
| d3 | 88,500 |
| U | 116,000 |

DIMENSIONS, MM

| | |
|---|---------|
| h | 146,000 |
|---|---------|

WEIGHT, KG

| | |
|---------|--------|
| Bearing | 9,200 |
| Housing | UC 313 |
| | T 313 |

MANUFACTURER

[ASAHI](#)