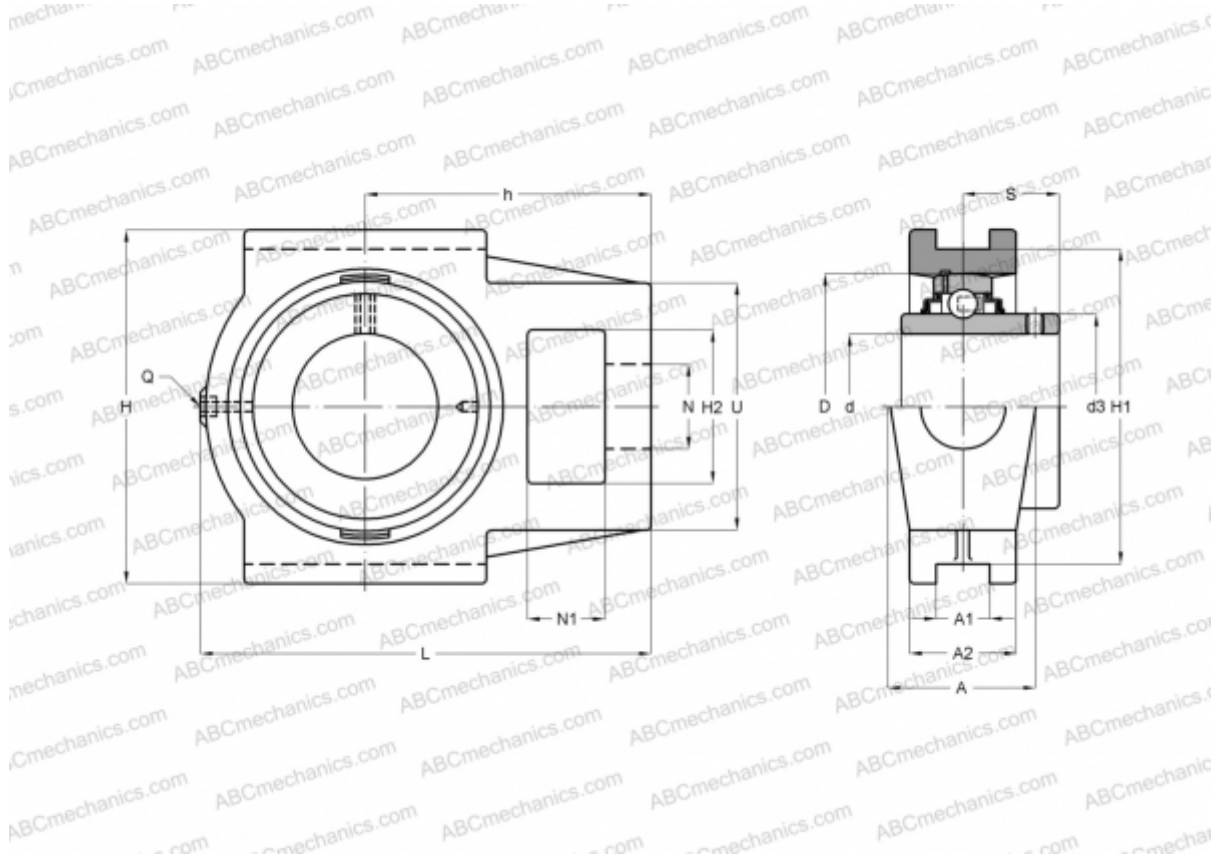


UCT 316 ASAHI

Ball bearing units

TYPE: Housing units, Take-up housing units, Cast iron housing, Radial insert ball bearing with grub screws in inner ring, Type UCT (ASAHI)



Technical specification

DIMENSIONS, MM

d	80,000
D	170,000
B	86,000
L	282,000
H	230,000
A	102,000
H2	98,000
A1	30,000
A2	60,000
H1	204,000
N	53,000
N1	42,000
S	52,000
d3	108,000
U	150,000

DIMENSIONS, MM

h	174,000
---	---------

WEIGHT, KG

Weight	15,600
Bearing	UC 316
Housing	T 316

MANUFACTURER

[ASAHI](#)