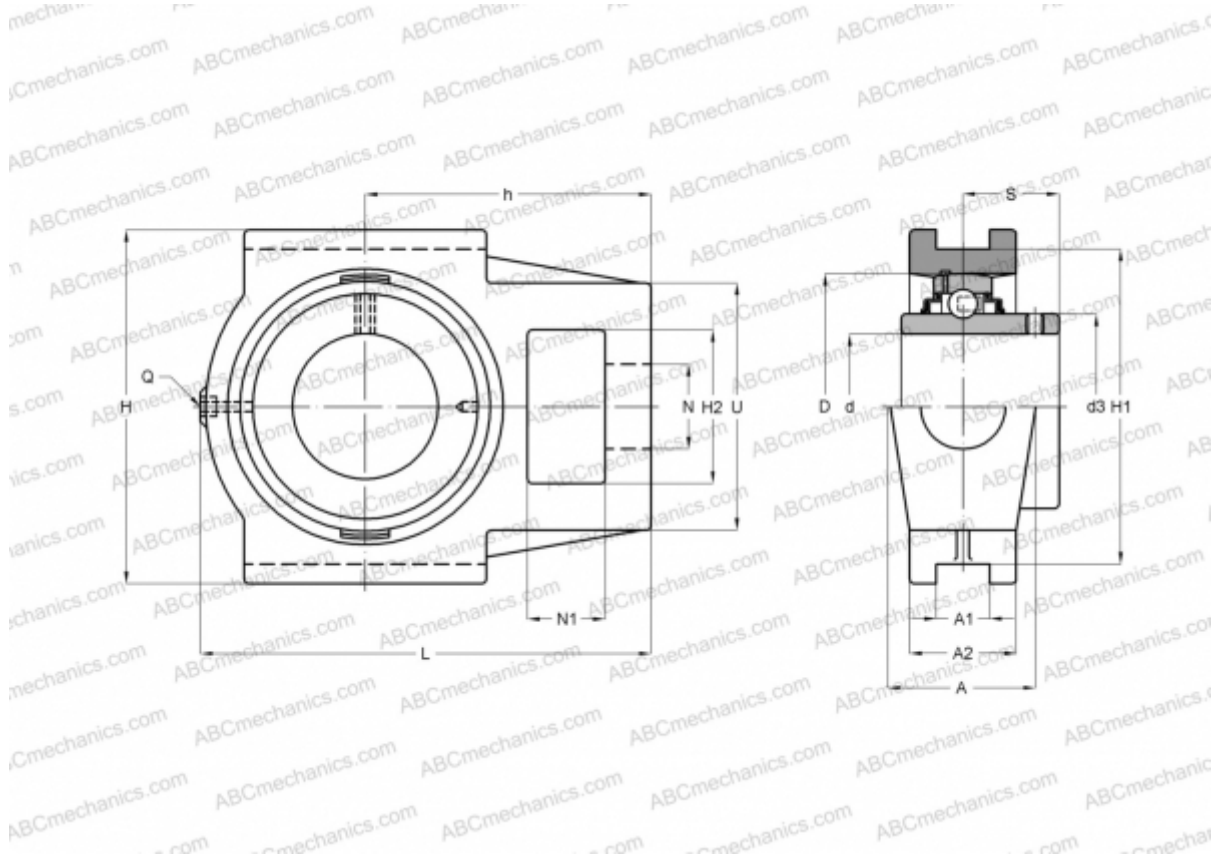


UCT 318 ASAHI

Ball bearing units

TYPE: Housing units, Take-up housing units, Cast iron housing, Radial insert ball bearing with grub screws in inner ring, Type UCT (ASAHI)



Technical specification

DIMENSIONS, MM

| | |
|----|---------|
| d | 90,000 |
| D | 190,000 |
| B | 96,000 |
| L | 312,000 |
| H | 255,000 |
| A | 110,000 |
| H2 | 106,000 |
| A1 | 32,000 |
| A2 | 66,000 |
| H1 | 228,000 |
| N | 57,000 |
| N1 | 46,000 |
| S | 56,000 |
| d3 | 121,000 |
| U | 160,000 |

DIMENSIONS, MM

| | |
|---|---------|
| h | 192,000 |
|---|---------|

WEIGHT, KG

| | |
|---------|--------|
| Weight | 21,200 |
| Bearing | UC 318 |
| Housing | T 318 |

MANUFACTURER

[ASAHI](#)