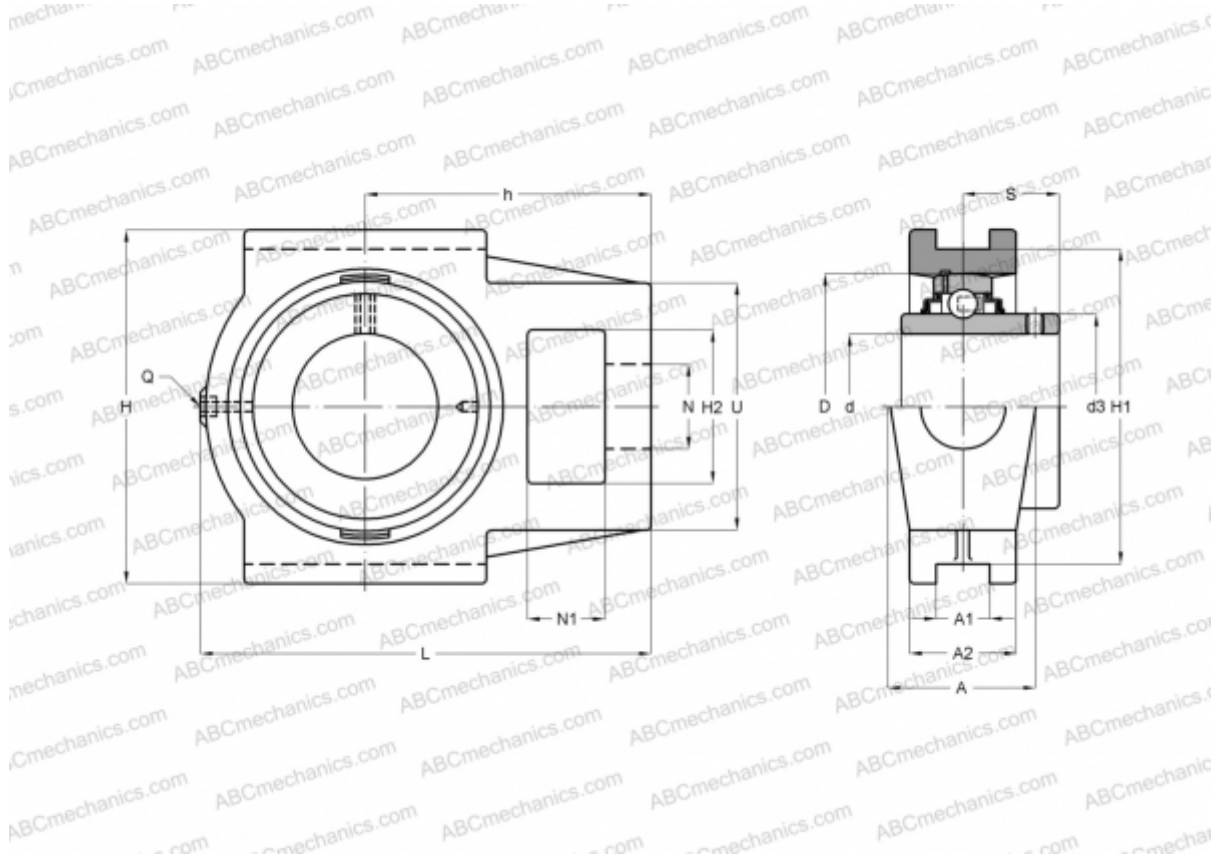


## UCT 326 ASAHI

Ball bearing units

TYPE: Housing units, Take-up housing units, Cast iron housing, Radial insert ball bearing with grub screws in inner ring, Type UCT (ASAHI)



### Technical specification

#### DIMENSIONS, MM

d	130,000
D	280,000
B	135,000
L	465,000
H	385,000
A	150,000
H2	150,000
A1	50,000
A2	100,000
H1	350,000
N	75,000
N1	65,000
S	81,000
d3	178,000
U	220,000

#### DIMENSIONS, MM

h	285,000
---	---------

#### WEIGHT, KG

Bearing	UC 326
Housing	T 326

#### MANUFACTURER

[ASAHI](#)