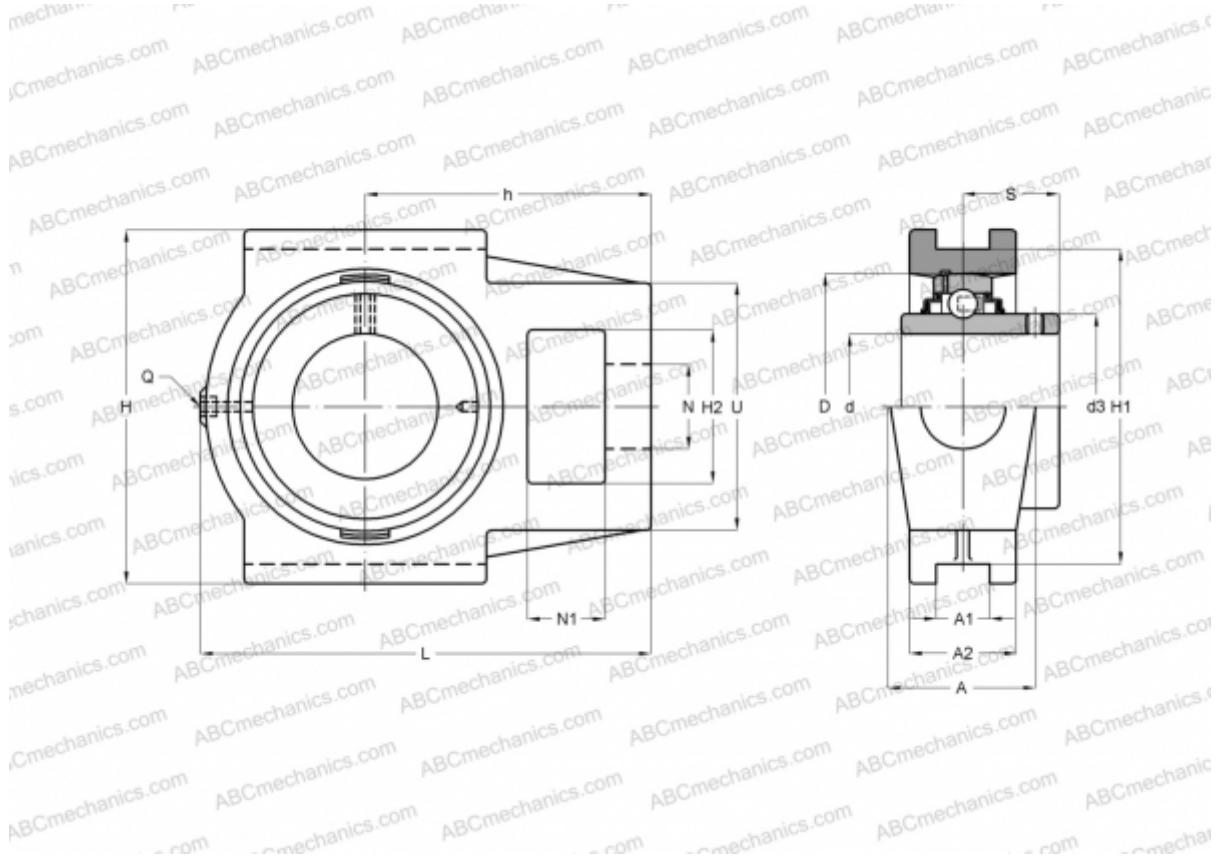


UCT 328 ASAHI

Ball bearing units

TYPE: Housing units, Take-up housing units, Cast iron housing, Radial insert ball bearing with grub screws in inner ring, Type UCT (ASAHI)



Technical specification

DIMENSIONS, MM

d	140,000
D	300,000
B	145,000
L	515,000
H	415,000
A	155,000
H2	160,000
A1	50,000
A2	100,000
H1	380,000
N	80,000
N1	70,000
S	86,000
d3	191,500
U	230,000

DIMENSIONS, MM

h	315,000
---	---------

WEIGHT, KG

Bearing	UC 328
Housing	T 328

MANUFACTURER

[ASAHI](#)