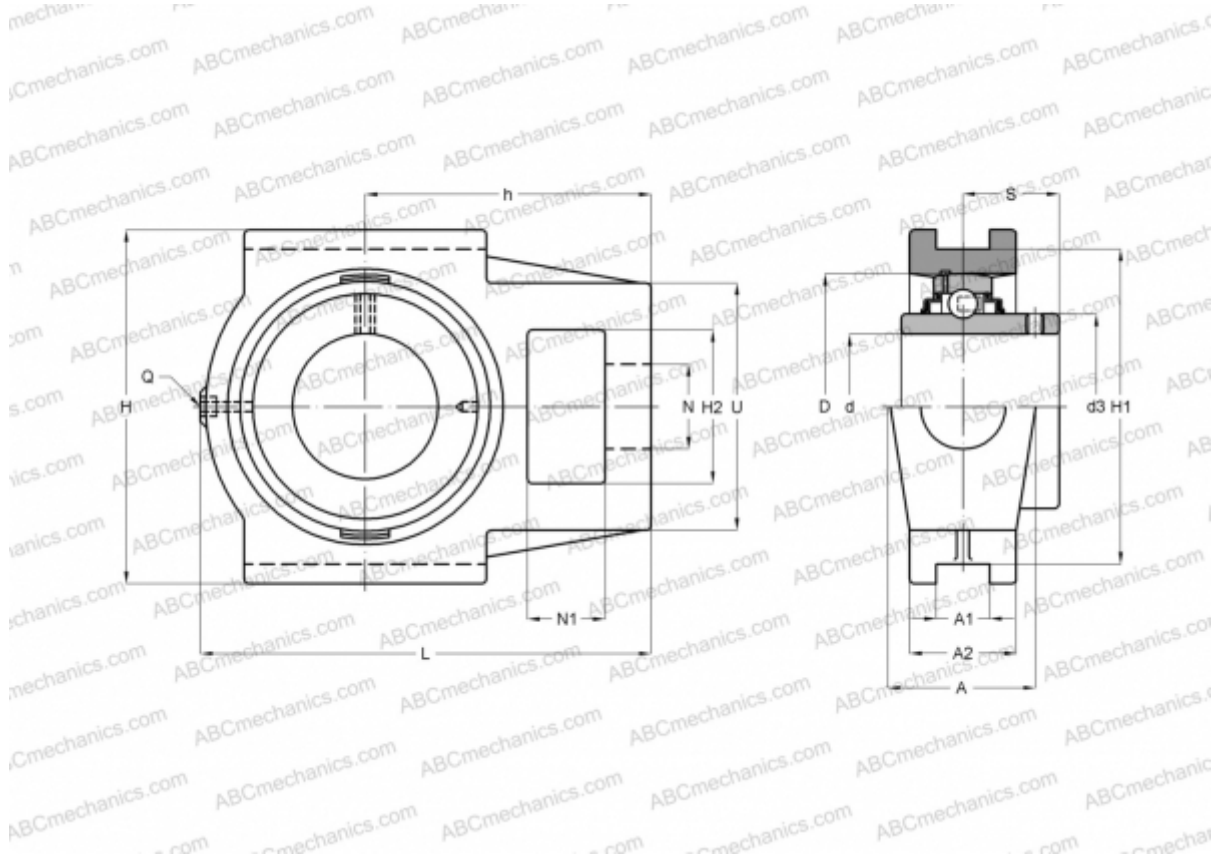


UCST 208 ASAHI

Ball bearing units

TYPE: Housing units, Take-up housing units, Cast iron housing, Radial insert ball bearing with grub screws in inner ring, Type UCST (ASAHI)



Technical specification

DIMENSIONS, MM

d	40,000
D	80,000
B	49,200
L	144,000
H	114,000
A	49,000
H2	49,000
A1	17,500
A2	35,000
H1	101,600
N	29,000
N1	19,000
S	30,200
d3	53,000
U	83,000

DIMENSIONS, MM

h	89,000
---	--------

WEIGHT, KG

2,500	
Bearing	UC 208
Housing	ST 208

MANUFACTURER

[ASAHI](#)