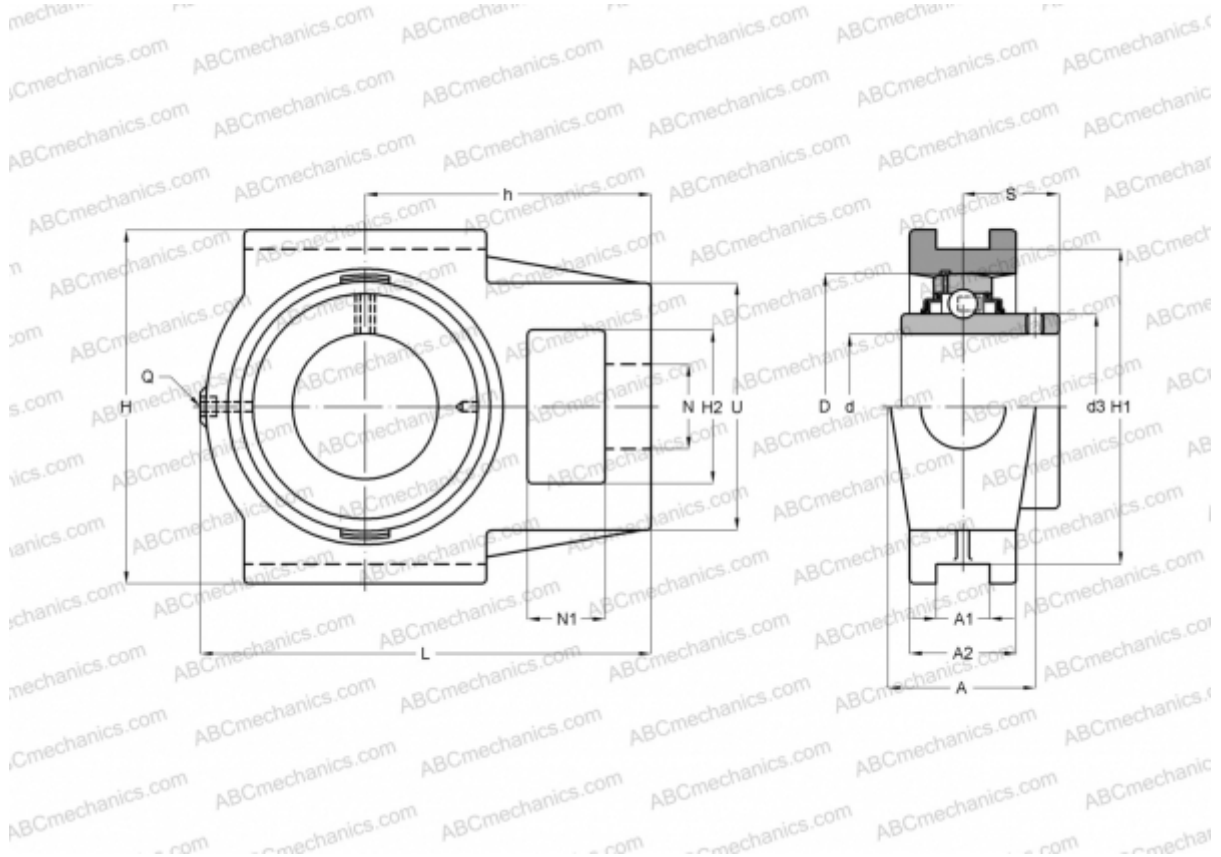


UCST 210 ASAHI

Ball bearing units

TYPE: Housing units, Take-up housing units, Cast iron housing, Radial insert ball bearing with grub screws in inner ring, Type UCST (ASAHI)



Technical specification

DIMENSIONS, MM

d	50,000
D	90,000
B	51,500
L	149,000
H	117,000
A	49,000
H2	49,000
A1	17,500
A2	35,000
H1	101,600
N	29,000
N1	19,000
S	32,500
d3	63,000
U	83,000

DIMENSIONS, MM

h	90,000
---	--------

WEIGHT, KG

Bearing	UC 210
Housing	ST 210

MANUFACTURER

[ASAHI](#)