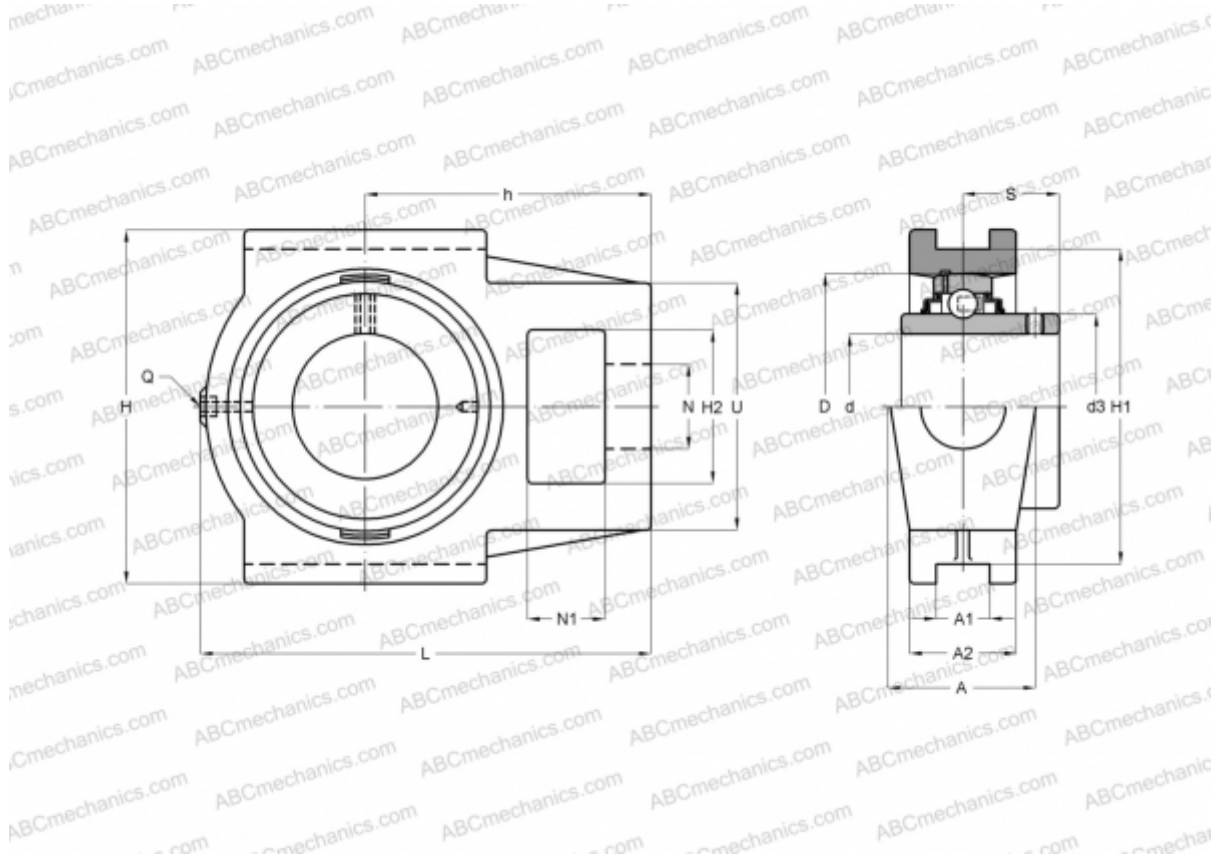


## UCST 212 ASAHI

Ball bearing units

TYPE: Housing units, Take-up housing units, Cast iron housing, Radial insert ball bearing with grub screws in inner ring, Type UCST (ASAHI)



### Technical specification

#### DIMENSIONS, MM

d	60,000
D	110,000
B	65,100
L	194,000
H	146,000
A	64,000
H2	64,000
A1	27,000
A2	46,000
H1	130,200
N	35,000
N1	32,000
S	39,700
d3	77,000
U	102,000

#### DIMENSIONS, MM

h	119,000
---	---------

#### WEIGHT, KG

	5,000
Bearing	UC 212
Housing	ST 212

#### MANUFACTURER

[ASAHI](#)