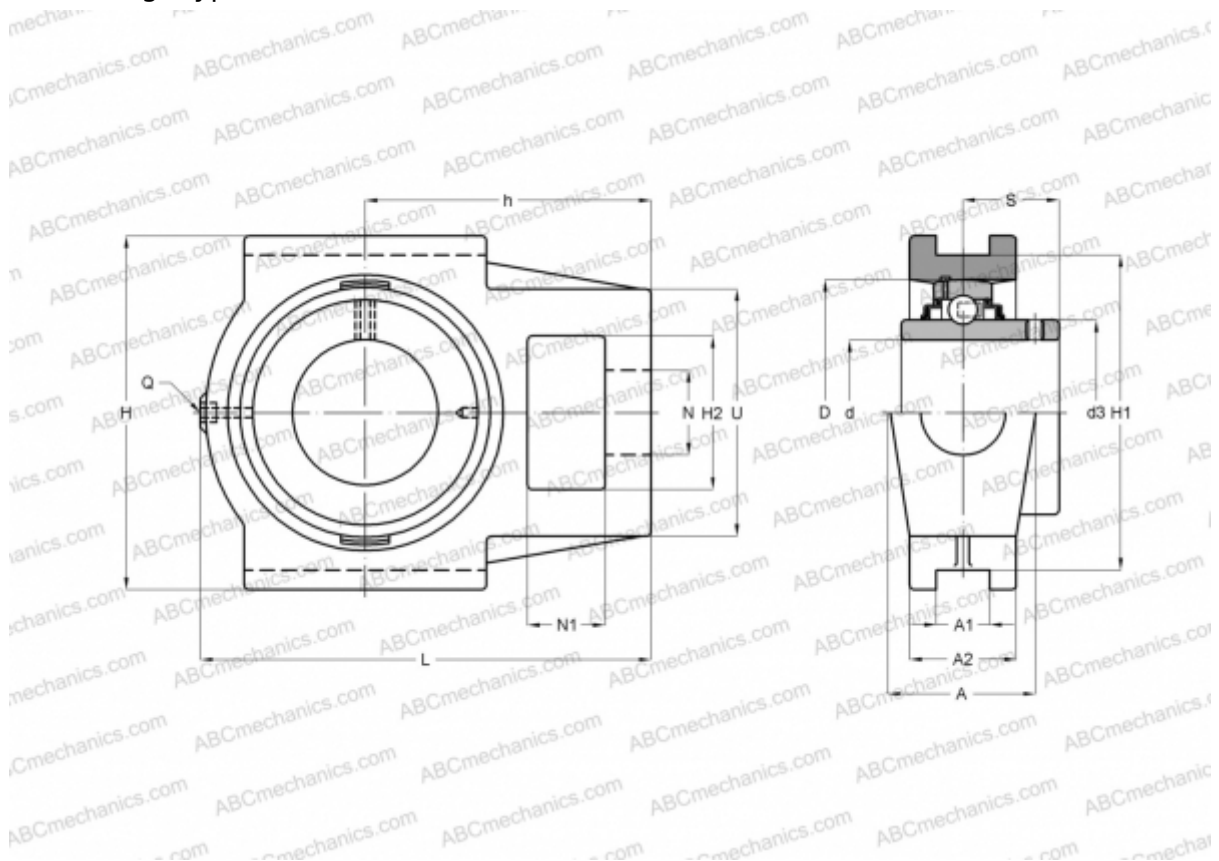


UCT X08 ASAHI

Ball bearing units

TYPE: Housing units, Take-up housing units, Cast iron housing, Radial insert ball bearing with grub screws in inner ring, Type UCTX (ASAHI)



Technical specification

DIMENSIONS, MM

| | |
|----|---------|
| d | 40,000 |
| D | 85,000 |
| B | 49,200 |
| L | 144,000 |
| H | 117,000 |
| A | 49,000 |
| H2 | 49,000 |
| A1 | 16,000 |
| A2 | 36,000 |
| H1 | 102,000 |
| N | 29,000 |
| N1 | 19,000 |
| S | 30,200 |
| d3 | 57,300 |
| U | 83,000 |

DIMENSIONS, MM

| | |
|---|--------|
| l | 83,000 |
| h | 87,000 |

WEIGHT, KG

| | |
|---------|--------|
| Bearing | UC X08 |
| Housing | T X08 |

MANUFACTURER

[ASAHI](#)