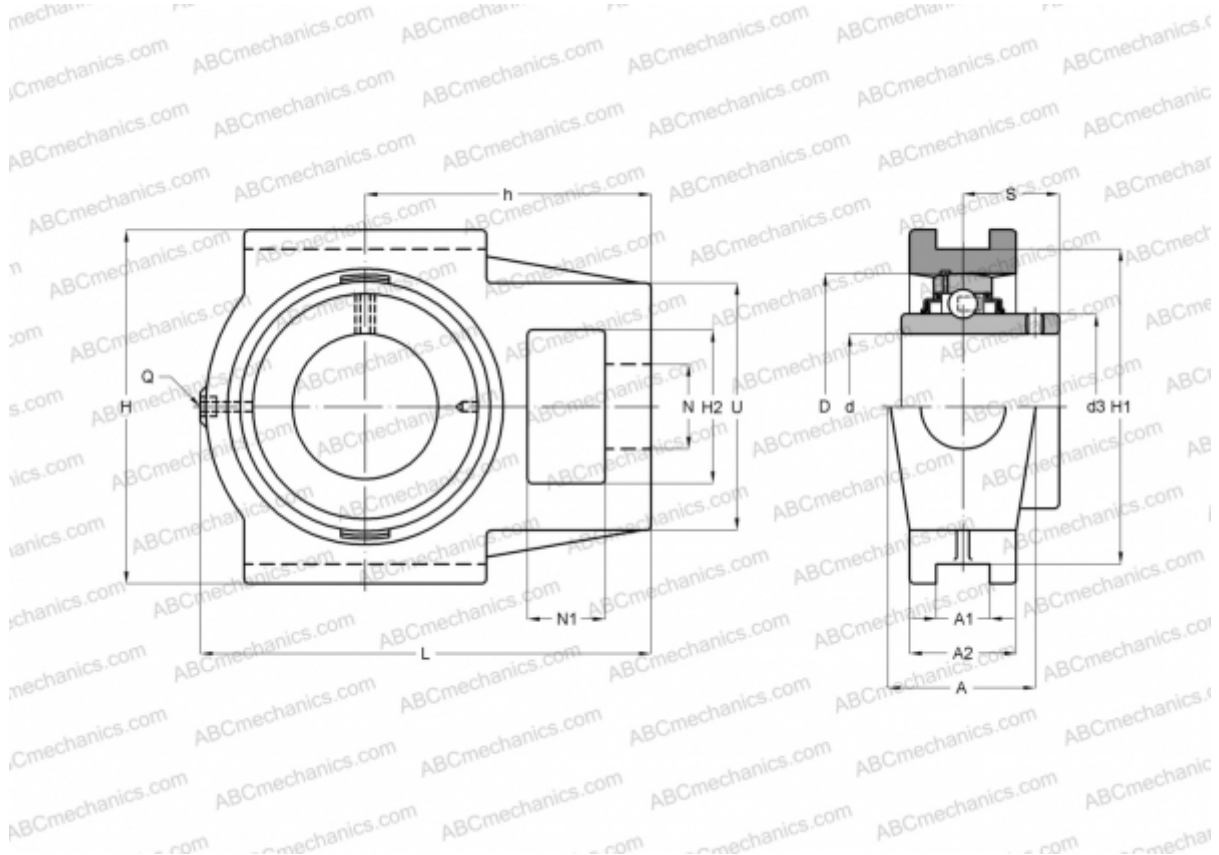


UCT X11 ASAHI

Ball bearing units

TYPE: Housing units, Take-up housing units, Cast iron housing, Radial insert ball bearing with grub screws in inner ring, Type UCTX (ASAHI)



Technical specification

DIMENSIONS, MM

d	55,000
D	110,000
B	65,100
L	194,000
H	146,000
A	64,000
H2	64,000
A1	22,000
A2	44,000
H1	130,000
N	35,000
N1	32,000
S	39,700
d3	77,000
U	102,000

DIMENSIONS, MM

l	102,000
h	119,000

WEIGHT, KG

Bearing	UC X11
Housing	T X11

MANUFACTURER

[ASAHI](#)