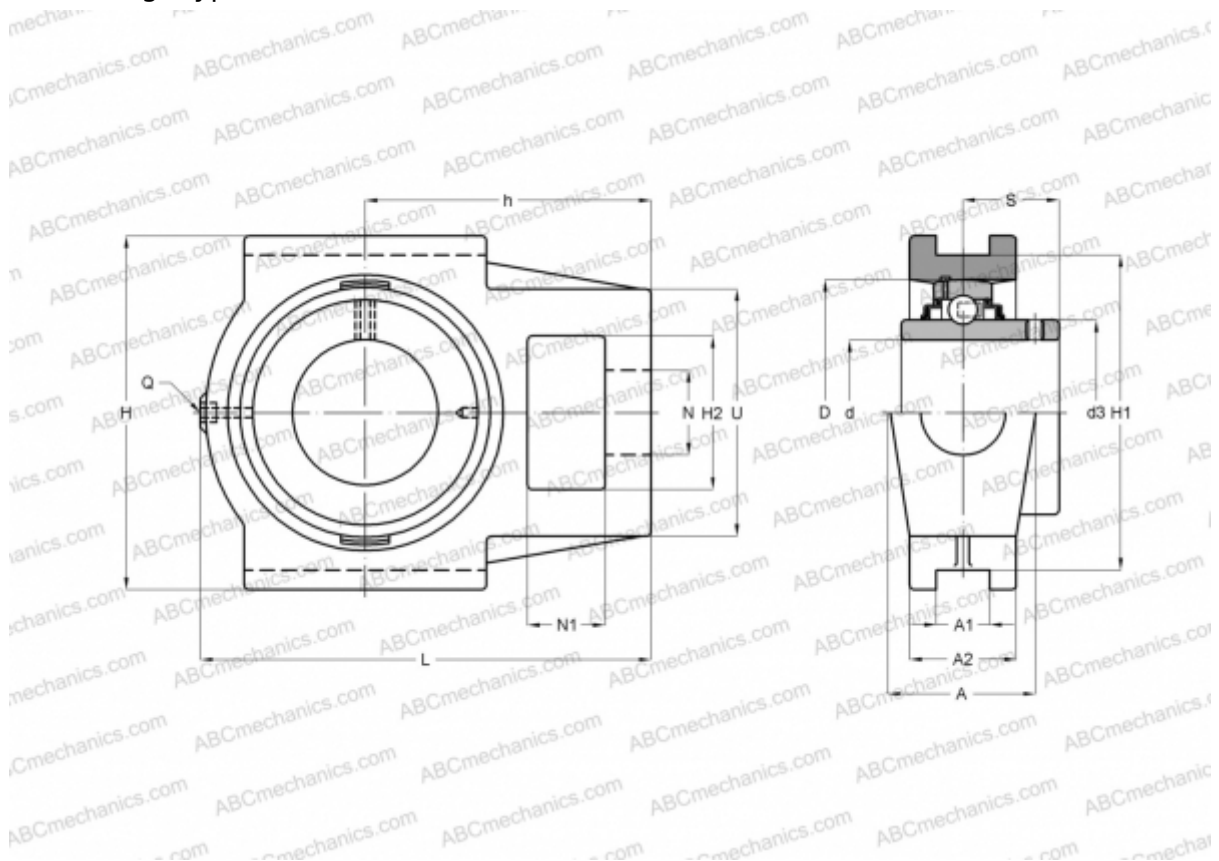


## UCT X15 ASAHI

Ball bearing units

TYPE: Housing units, Take-up housing units, Cast iron housing, Radial insert ball bearing with grub screws in inner ring, Type UCTX (ASAHI)



### Technical specification

#### DIMENSIONS, MM

d	75,000
D	140,000
B	82,600
L	235,000
H	184,000
A	70,000
H2	70,000
A1	28,000
A2	48,000
H1	165,000
N	41,000
N1	32,000
S	49,300
d3	98,500
U	111,000

#### DIMENSIONS, MM

l	121,000
h	140,000

#### WEIGHT, KG

Bearing	UC X15
Housing	T X15

#### MANUFACTURER

[ASAHI](http://www.asahi.com)