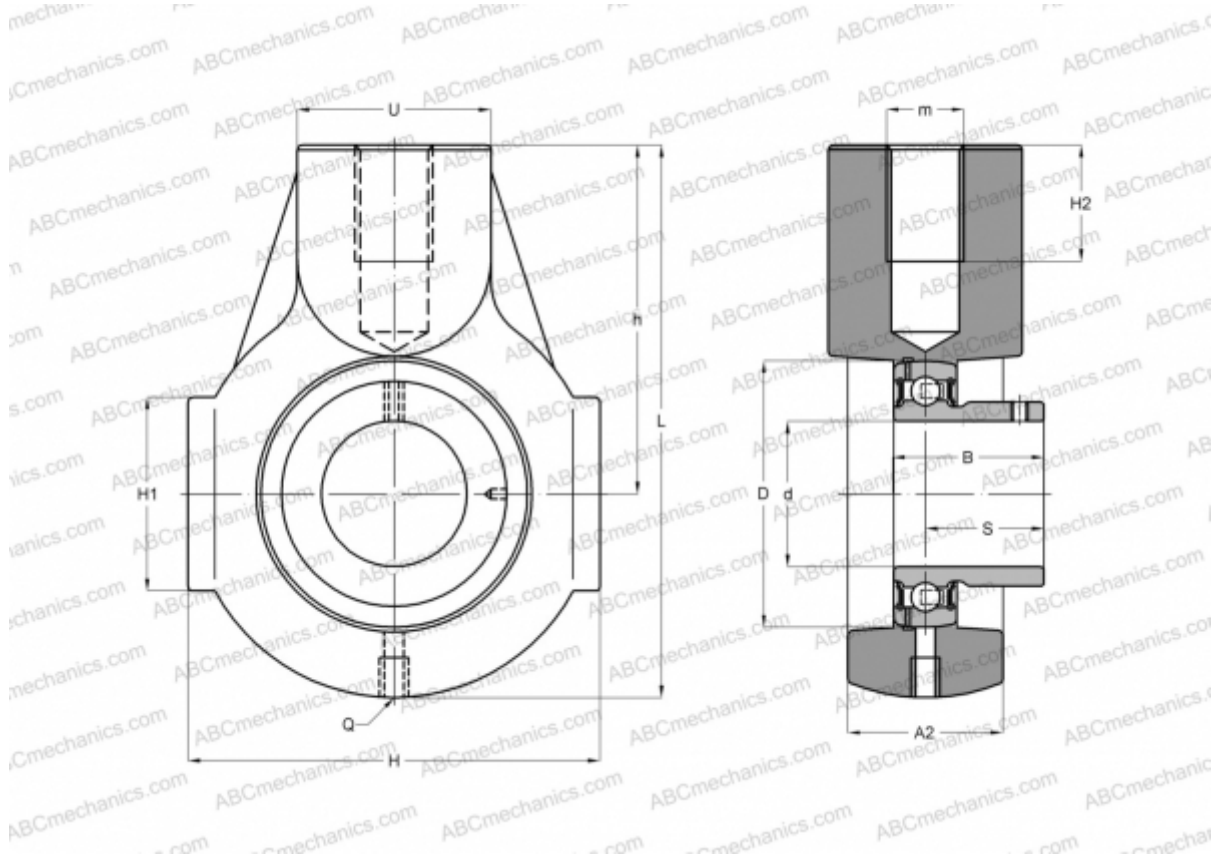


UCECH 206 ASAHI

Ball bearing units

TYPE: Housing units, Hanger unit, Cast iron housing, Radial insert ball bearing with grub screws in inner ring, Type UCECH (ASAHI)



Technical specification

DIMENSIONS, MM

d	30,000
D	62,000
B	38,100
L	104,000
H	80,000
H2	19,000
S	22,200
U	40,000
h	64,000

WEIGHT, KG 0,910

Bearing	UC 206
Housing	ECH 206

MANUFACTURER

[ASAHI](#)