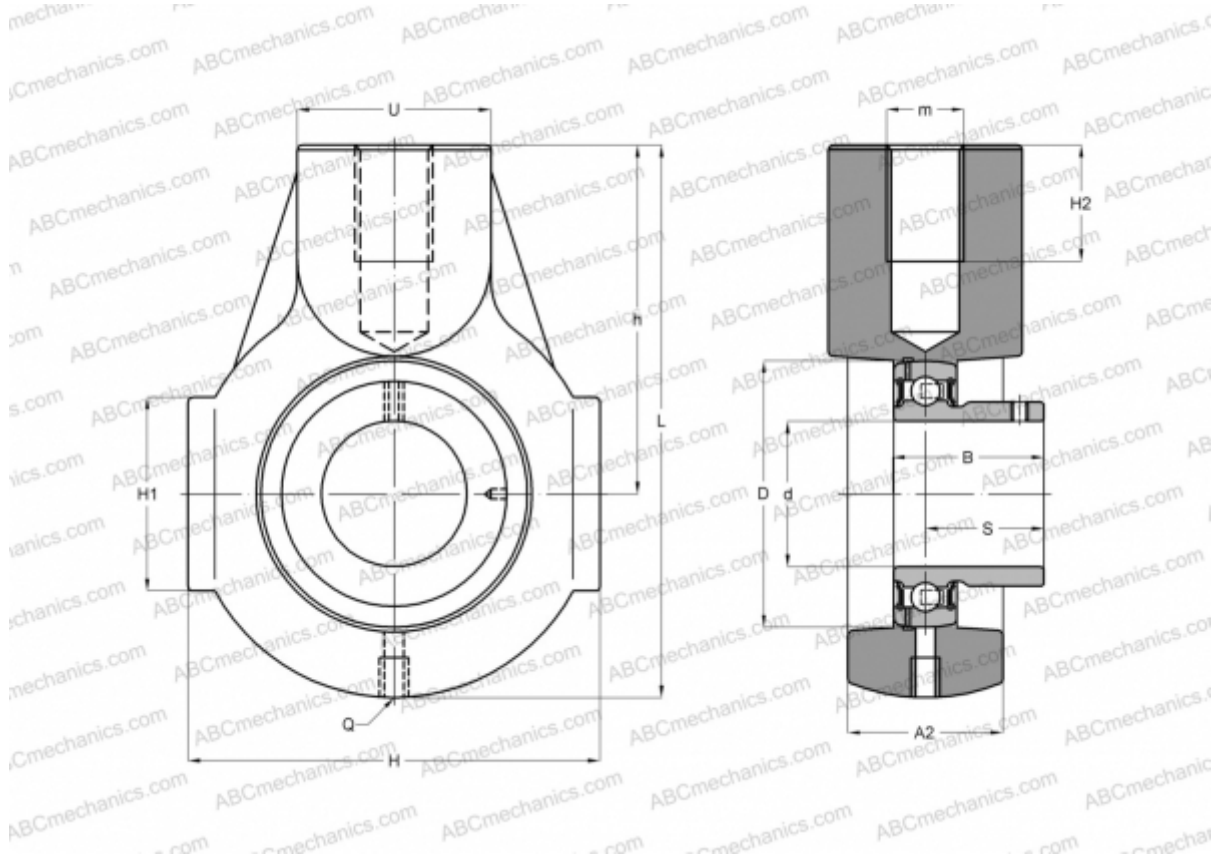


## UCECH 208 ASAHI

Ball bearing units

TYPE: Housing units, Hanger unit, Cast iron housing, Radial insert ball bearing with grub screws in inner ring, Type UCECH (ASAHI)



### Technical specification

#### DIMENSIONS, MM

d	40,000
D	80,000
B	49,200
L	121,000
H	96,000
H2	19,000
S	30,200
U	40,000
h	73,000

#### MANUFACTURER

[ASAHI](http://www.asahi.com)

#### WEIGHT, KG

1,400

Bearing	UC 208
Housing	ECH 208