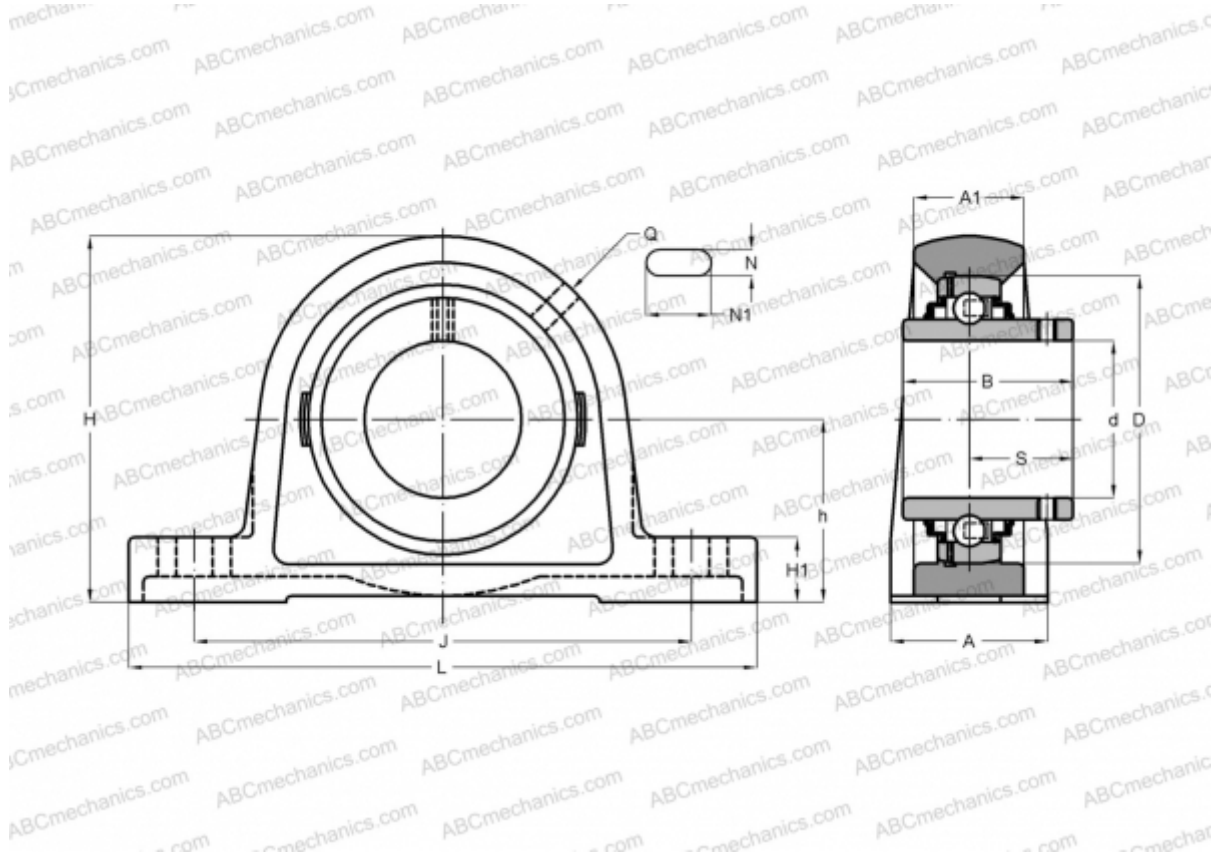


UCP 322 ASAHI

Ball bearing units

TYPE: Housing units, Plummer block, Cast iron housing, Radial insert ball bearing with grub screws in inner ring, Type UCP (ASAHI)



Technical specification

DIMENSIONS, MM

d	110,000
D	240,000
B	117,000
L	520,000
H	295,000
A	140,000
J	400,000
H1	60,000
N	40,000
N1	55,000
S	71,000
h	150,000

WEIGHT, KG

42,500

Bearing

UC 322

Housing

P 322

MANUFACTURER

[ASAHI](#)