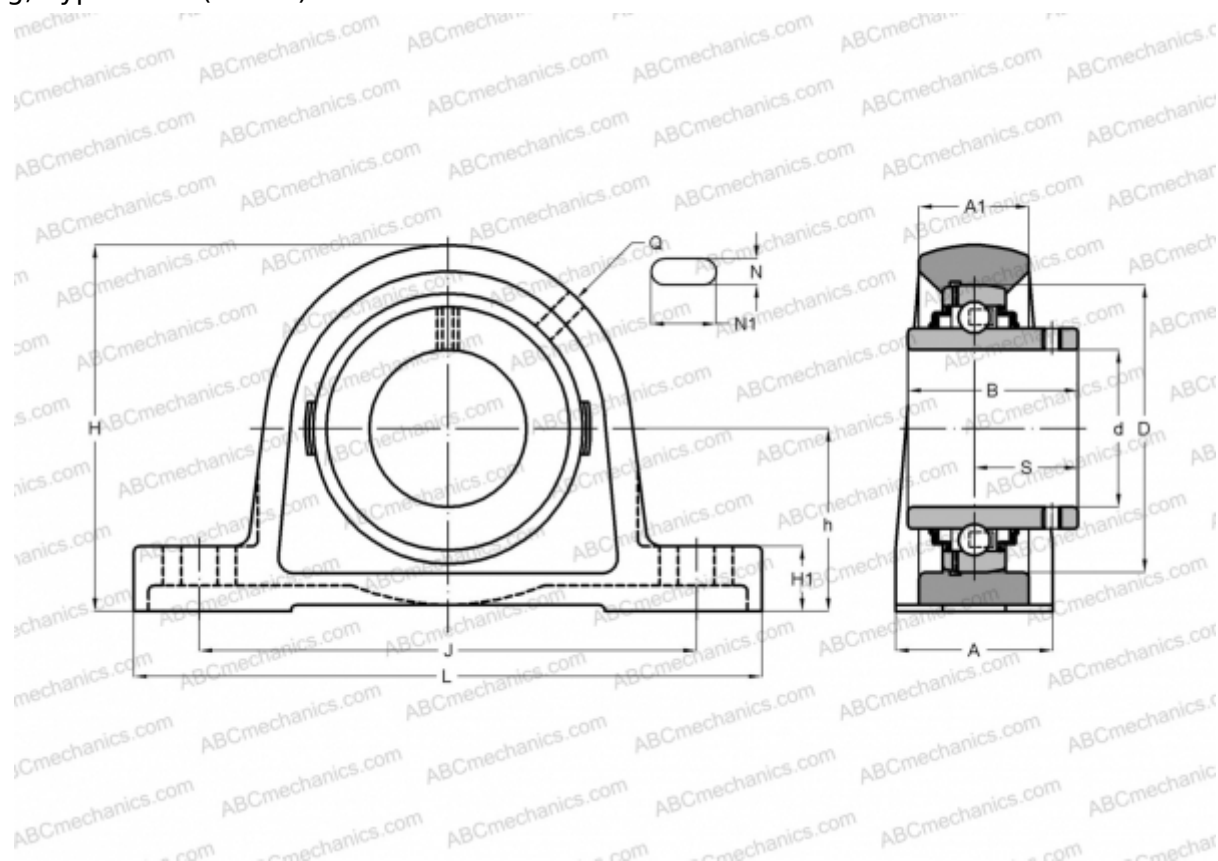


## UCLP 201 ASAHI

Ball bearing units

TYPE: Housing units, Plummer block, Cast iron housing, Radial insert ball bearing with grub screws in inner ring, Type UCLP (ASAHI)



### Technical specification

#### DIMENSIONS, MM

d	12,000
D	40,000
B	26,000
L	121,000
H	56,000
A	29,000
J	89,000
H1	13,000
N	12,000
N1	16,000
S	16,000
h	27,000

**WEIGHT, KG** 0,650

Bearing	UCW 201
Housing	LP 203

#### MANUFACTURER

[ASAHI](#)