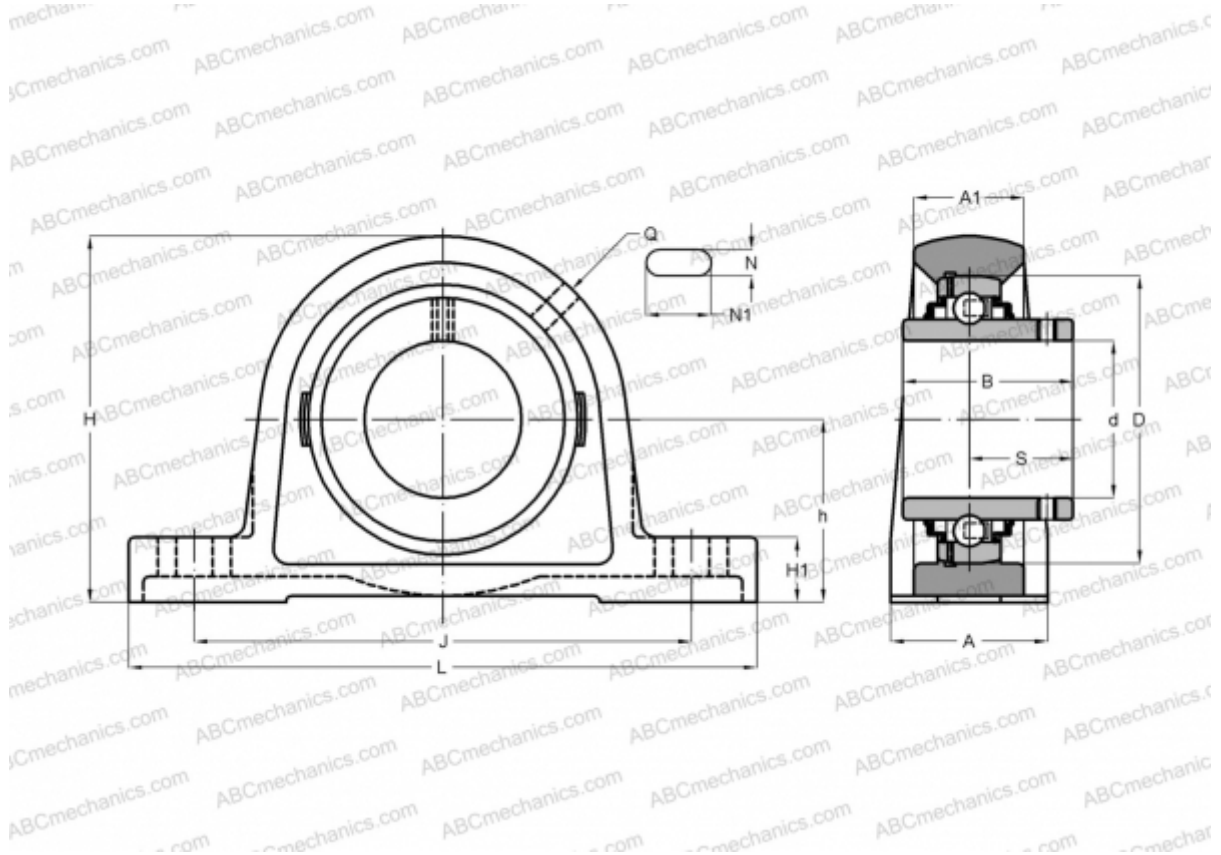


UCLP 207 ASAHI

Ball bearing units

TYPE: Housing units, Plummer block, Cast iron housing, Radial insert ball bearing with grub screws in inner ring, Type UCLP (ASAHI)



Technical specification

DIMENSIONS, MM

d	35,000
D	72,000
B	42,900
L	178,000
H	94,000
A	48,000
J	137,000
H1	19,000
N	15,000
N1	22,000
S	25,400
h	46,000

WEIGHT, KG

1,600

Bearing

UC 207

Housing

LP 207

MANUFACTURER

[ASAHI](#)