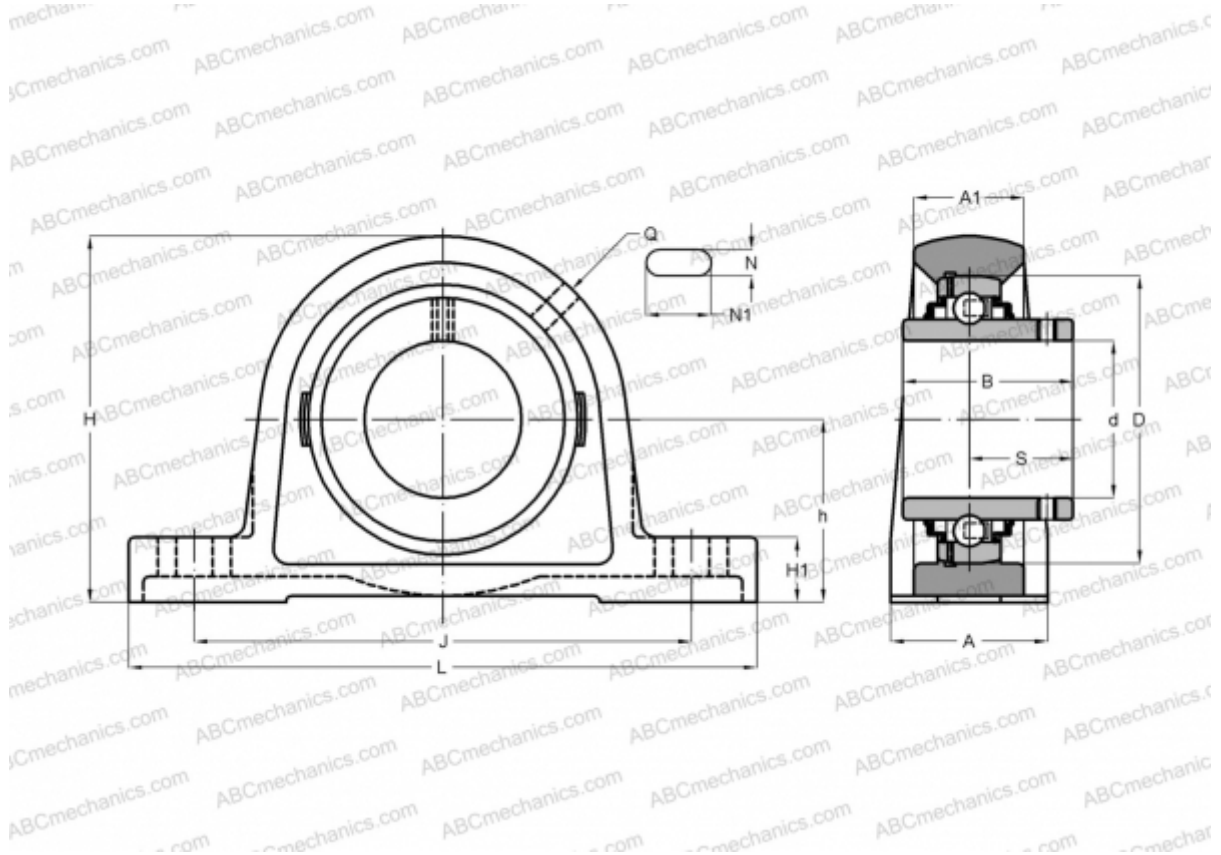


## UCP X11 ASAHI

Ball bearing units

TYPE: Housing units, Plummer block, Cast iron housing, Radial insert ball bearing with grub screws in inner ring, Type UCPX (ASAHI)



### Technical specification

#### DIMENSIONS, MM

d	55,000
B	65,100
L	260,000
H	139,000
A	79,000
J	184,000
H1	30,000
N	25,000
N1	36,000
S	39,700
h	69,800

#### WEIGHT, KG

5,900

Bearing

UCX11

Housing

PX11

#### MANUFACTURER

[ASAHI](#)