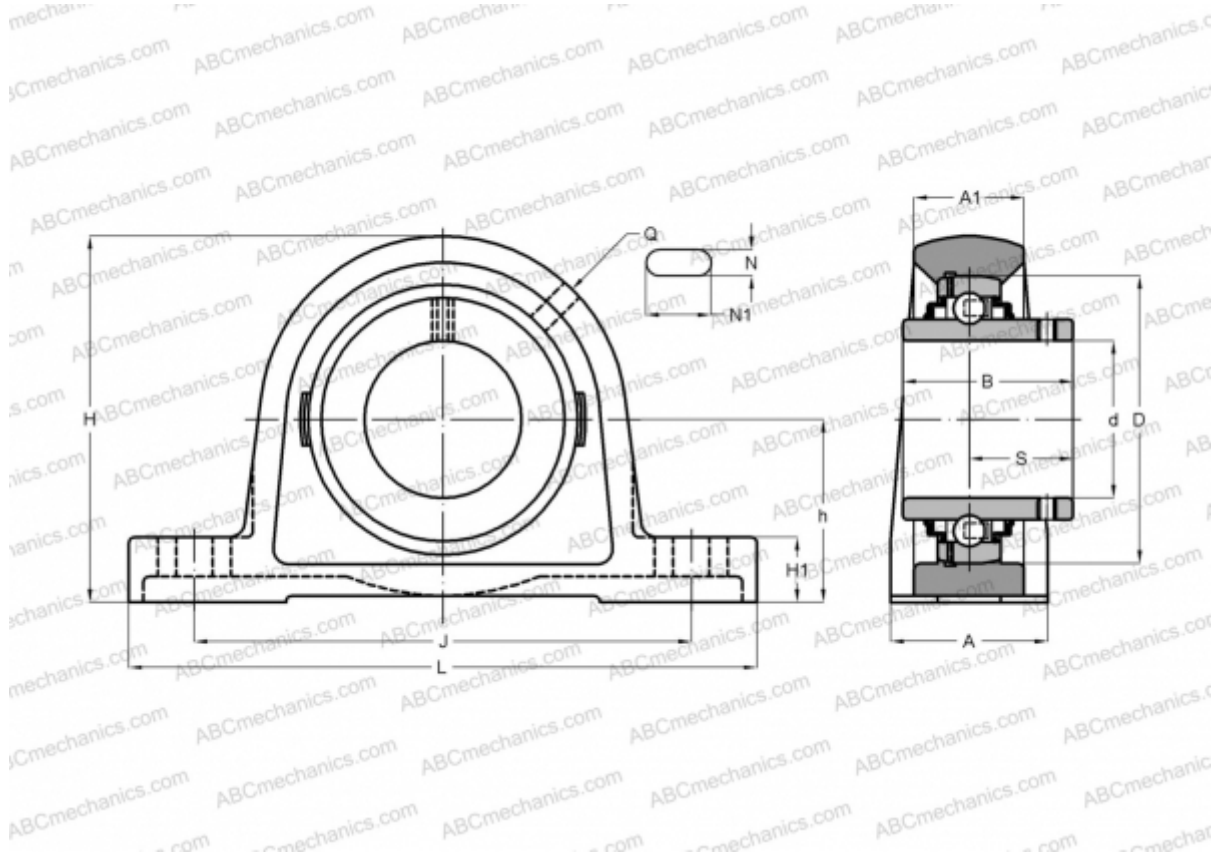


UCP X13 ASAHI

Ball bearing units

TYPE: Housing units, Plummer block, Cast iron housing, Radial insert ball bearing with grub screws in inner ring, Type UCPX (ASAHI)



Technical specification

DIMENSIONS, MM

d	65,000
B	74,600
L	286,000
H	154,000
A	83,000
J	203,000
H1	32,000
N	25,000
N1	41,000
S	44,400
h	76,200

WEIGHT, KG

	7,400
Bearing	UCX13

Housing

PX13

MANUFACTURER

[ASAHI](#)