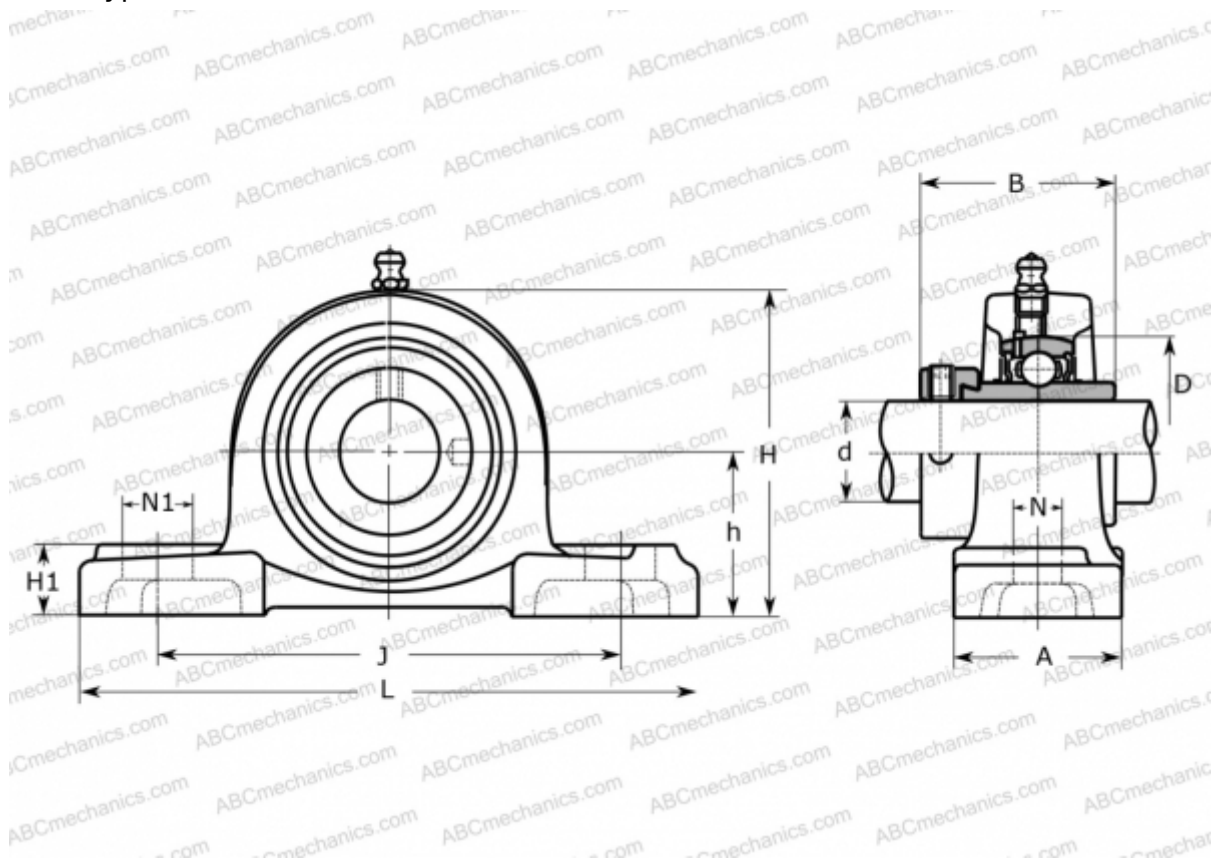


UDP 204 ASAHI

Ball bearing units

TYPE: Housing units, Plummer block, Cast iron housing, Radial insert ball bearing with eccentric locking collar, Type UDP (ASAHI)



Technical specification

DIMENSIONS, MM

d	20,000
D	47,000
B	31,000
L	127,000
H	65,000
A	38,000
J	95,000
H1	15,000
N	13,000
N1	19,000
h	33,300

WEIGHT, KG 0,650

Bearing UD 204 + EE

Housing

MANUFACTURER

P 204

[ASAHI](http://www.asahi.com)