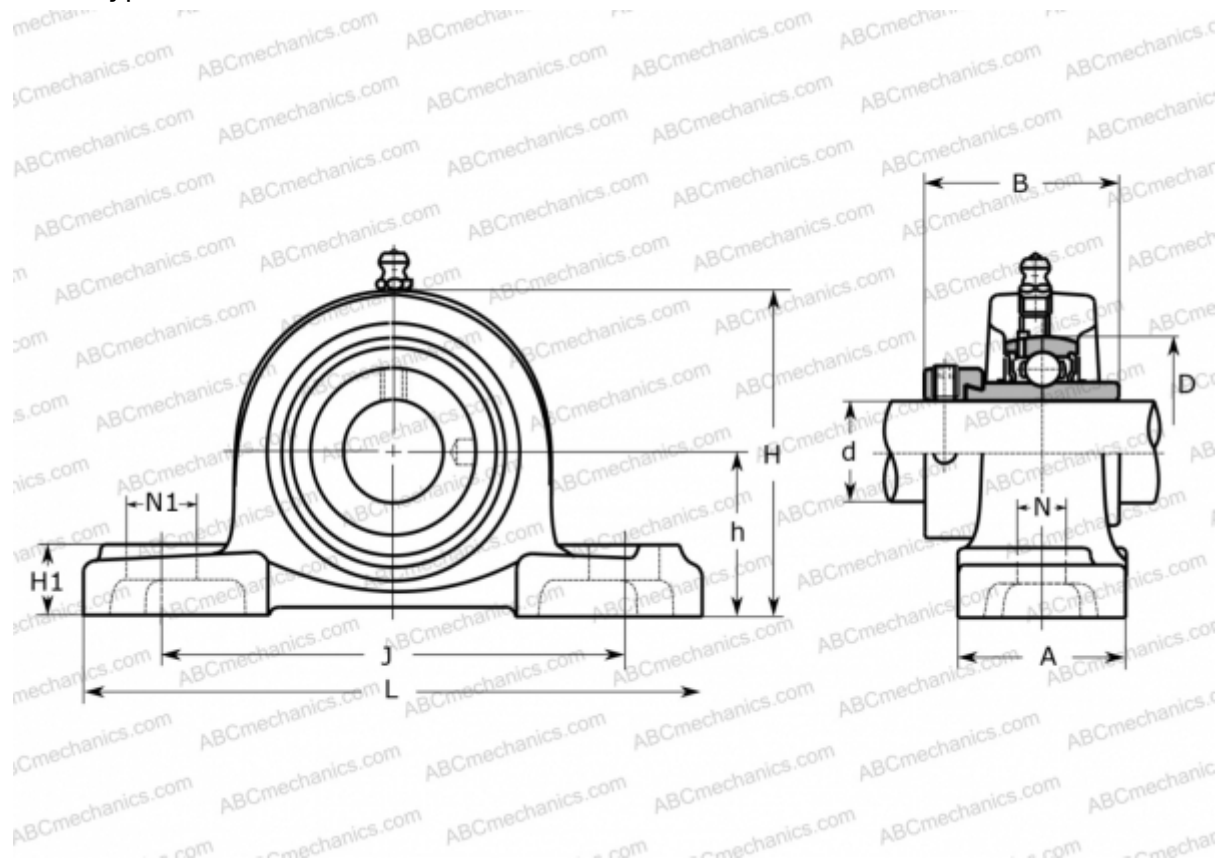


## UDP 207 ASAHI

Ball bearing units

TYPE: Housing units, Plummer block, Cast iron housing, Radial insert ball bearing with eccentric locking collar, Type UDP (ASAHI)



### Technical specification

#### DIMENSIONS, MM

d	35,000
D	72,000
B	38,000
L	167,000
H	94,000
A	48,000
J	127,000
H1	19,000
N	17,000
N1	21,000
h	47,600

#### WEIGHT, KG

1,500

Bearing

UD 207 + EE

Housing

P 207

**MANUFACTURER**

[ASAHI](http://www.asahi.com)