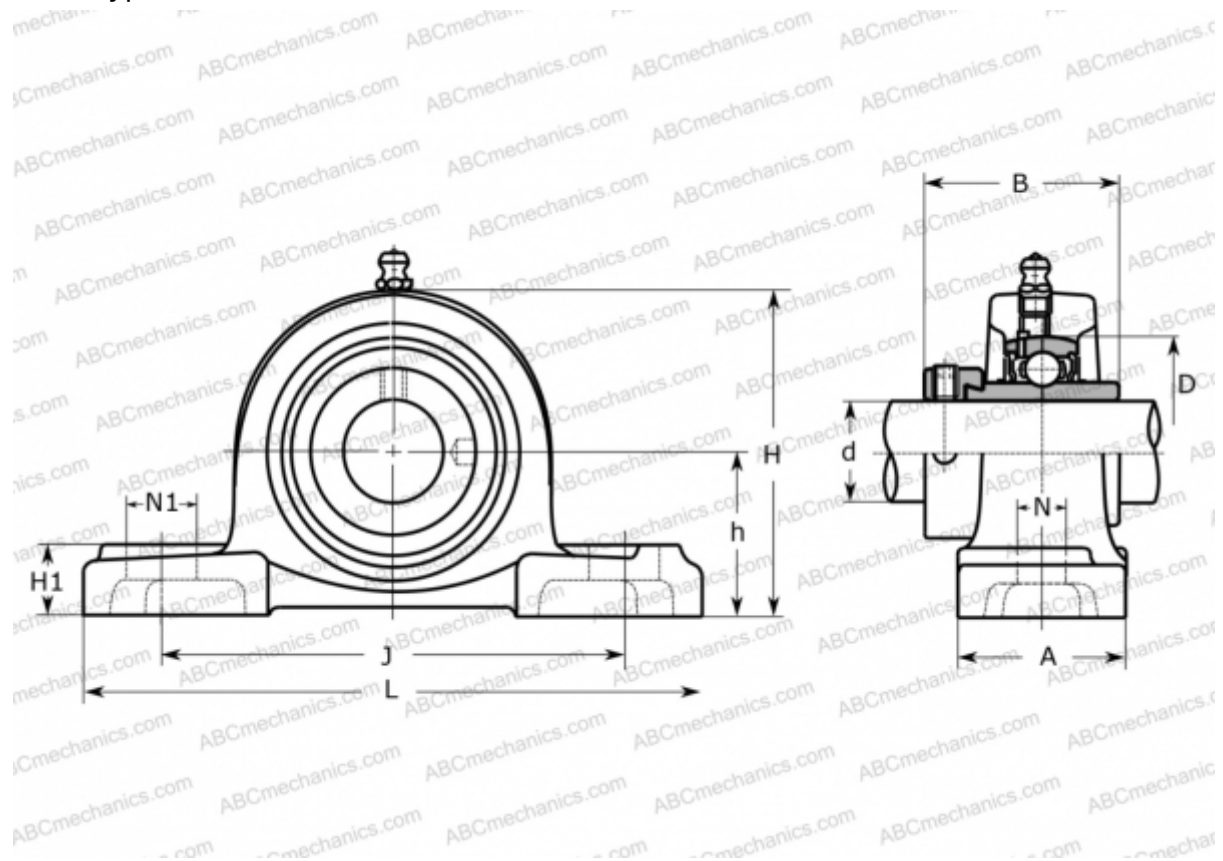


UDP 208 ASAHI

Ball bearing units

TYPE: Housing units, Plummer block, Cast iron housing, Radial insert ball bearing with eccentric locking collar, Type UDP (ASAHI)



Technical specification

DIMENSIONS, MM

d	40,000
D	80,000
B	40,000
L	184,000
H	100,000
A	54,000
J	137,000
H1	19,000
N	17,000
N1	25,000
h	49,200

WEIGHT, KG

1,900

Bearing

UD 208 + EE

Housing

P 208

MANUFACTURER

[ASAHI](http://ASAHI.com)