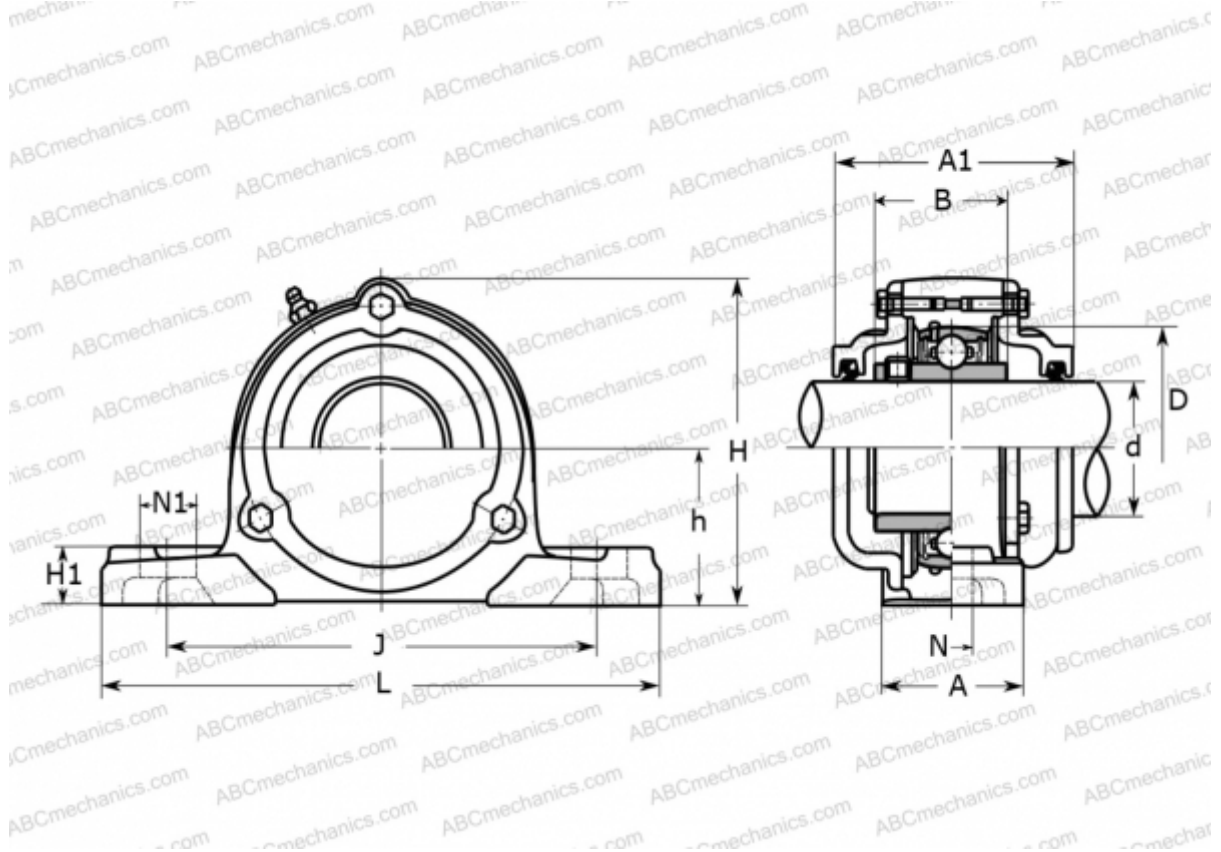


CUCP 218C ASAHI

Ball bearing units

TYPE: Housing units, Plummer block, Cast iron housing, Radial insert ball bearing with grub screws in inner ring, Type CUCP..C with cast iron covers, open cover (ASAHI)



Technical specification

DIMENSIONS, MM

d	90,000
D	160,000
B	96,000
L	327,000
H	211,000
A	88,000
J	262,000
A1	164,000
H1	34,000
N	27,000
N1	33,000
h	101,600

WEIGHT, KG

18,200

Bearing

UC 218

Housing

CP 218

MANUFACTURER

[ASAHI](http://www.asahi.com)