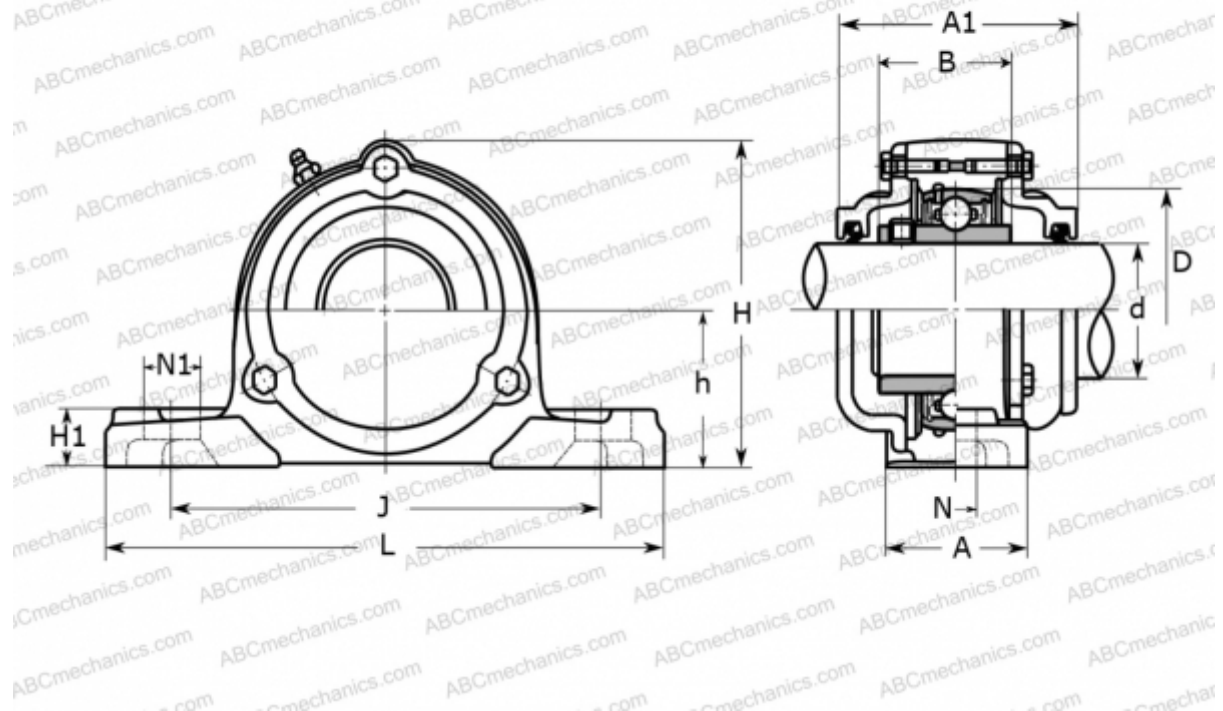


## CUCP 206CE ASAHI

Ball bearing units

TYPE: Housing units, Plummer block, Cast iron housing, Radial insert ball bearing with grub screws in inner ring, Type CUCP..CE with cast iron covers, closed cover (ASAHI)



### Technical specification

#### DIMENSIONS, MM

d	30,000
D	62,000
B	38,100
L	165,000
H	87,000
A	48,000
J	121,000
A1	74,000
H1	18,000
N	17,000
N1	21,000
h	42,900

#### WEIGHT, KG

2,000

Bearing

UC 206

Housing

CP 206

#### MANUFACTURER

[ASAHI](http://www.asahi.com)