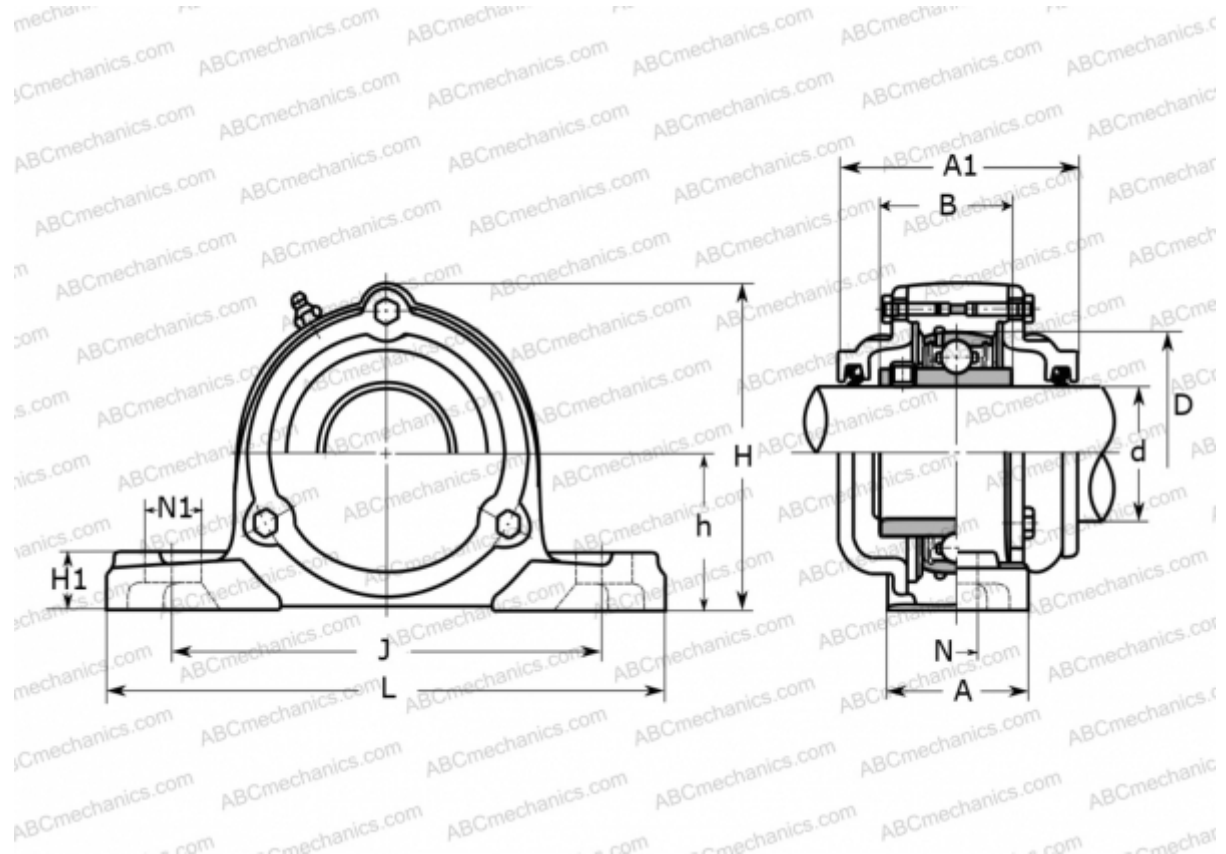


## CUCP 211CE ASAHI

Ball bearing units

TYPE: Housing units, Plummer block, Cast iron housing, Radial insert ball bearing with grub screws in inner ring, Type CUCP..CE with cast iron covers, closed cover (ASAHI)



### Technical specification

#### DIMENSIONS, MM

d	55,000
D	100,000
B	55,600
L	219,000
H	133,000
A	60,000
J	171,000
A1	100,000
H1	22,000
N	20,000
N1	25,000
h	63,500

#### WEIGHT, KG

5,000

Bearing	UC 211
Housing	CP 211

#### MANUFACTURER

[ASAHI](#)