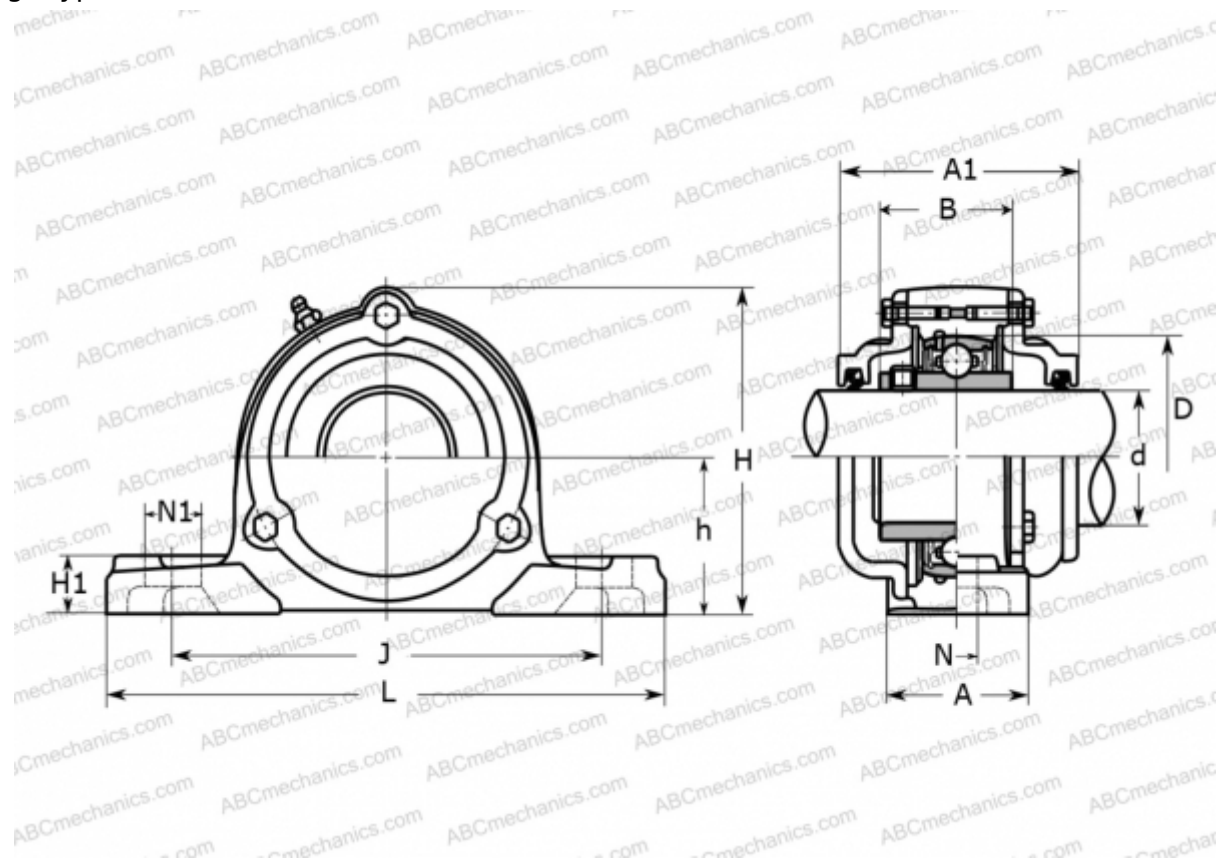


CUCP 218CE ASAHI

Ball bearing units

TYPE: Housing units, Plummer block, Cast iron housing, Radial insert ball bearing with grub screws in inner ring, Type CUCP..CE with cast iron covers, closed cover (ASAHI)



Technical specification

DIMENSIONS, MM

d	90,000
D	160,000
B	96,000
L	327,000
H	211,000
A	88,000
J	262,000
A1	164,000
H1	34,000
N	27,000
N1	33,000
h	101,600

WEIGHT, KG

18,200

Bearing	UC 218
Housing	CP 218

MANUFACTURER

[ASAHI](#)