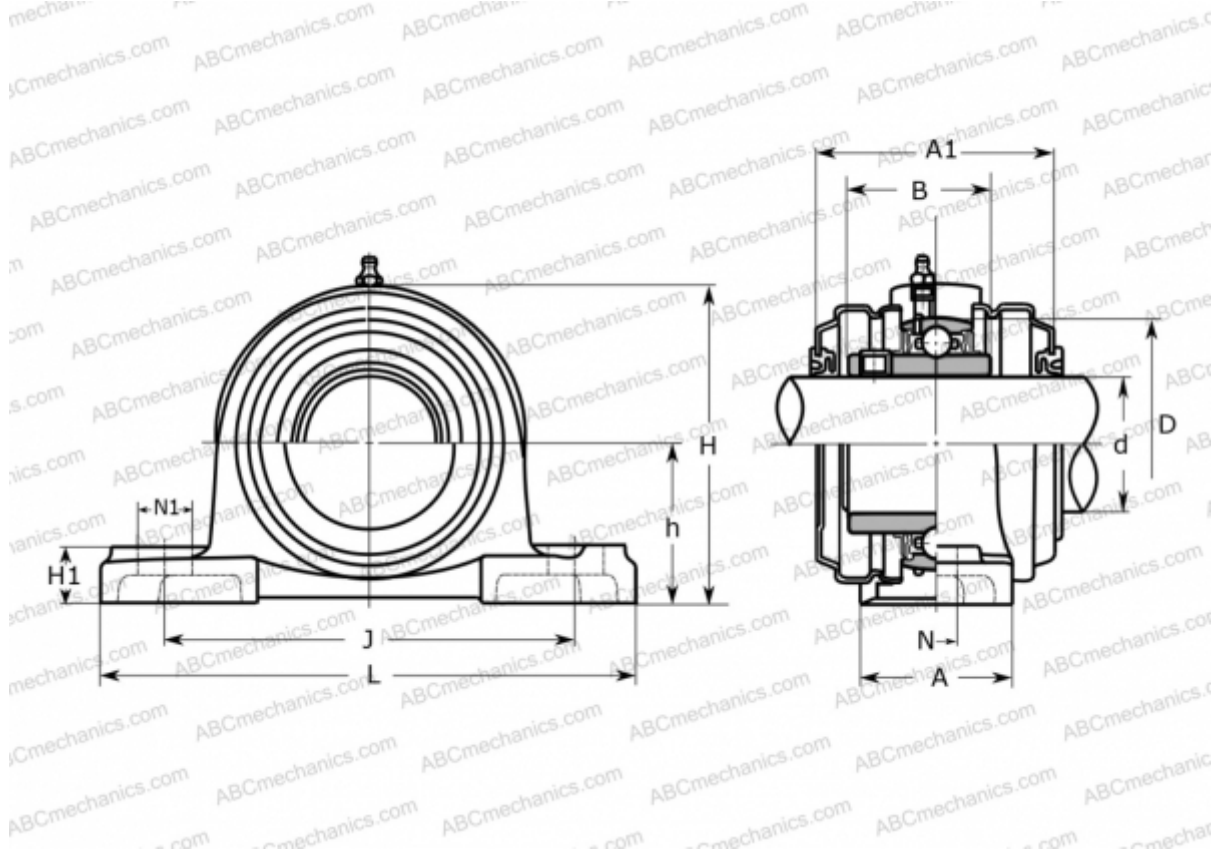


## UCP 201C ASAHI

Ball bearing units

TYPE: Housing units, Plummer block, Cast iron housing, Radial insert ball bearing with grub screws in inner ring, Type UCP..C with pressed steel covers, open cover (ASAHI)



### Technical specification

#### DIMENSIONS, MM

d	12,000
D	47,000
B	31,000
L	127,000
H	62,000
A	38,000
J	95,000
A1	56,000
H1	15,000
N	13,000
N1	19,000
h	30,200

**WEIGHT, KG** 0,710

Bearing	UC 201
Housing	P 203C

#### MANUFACTURER

[ASAHI](#)