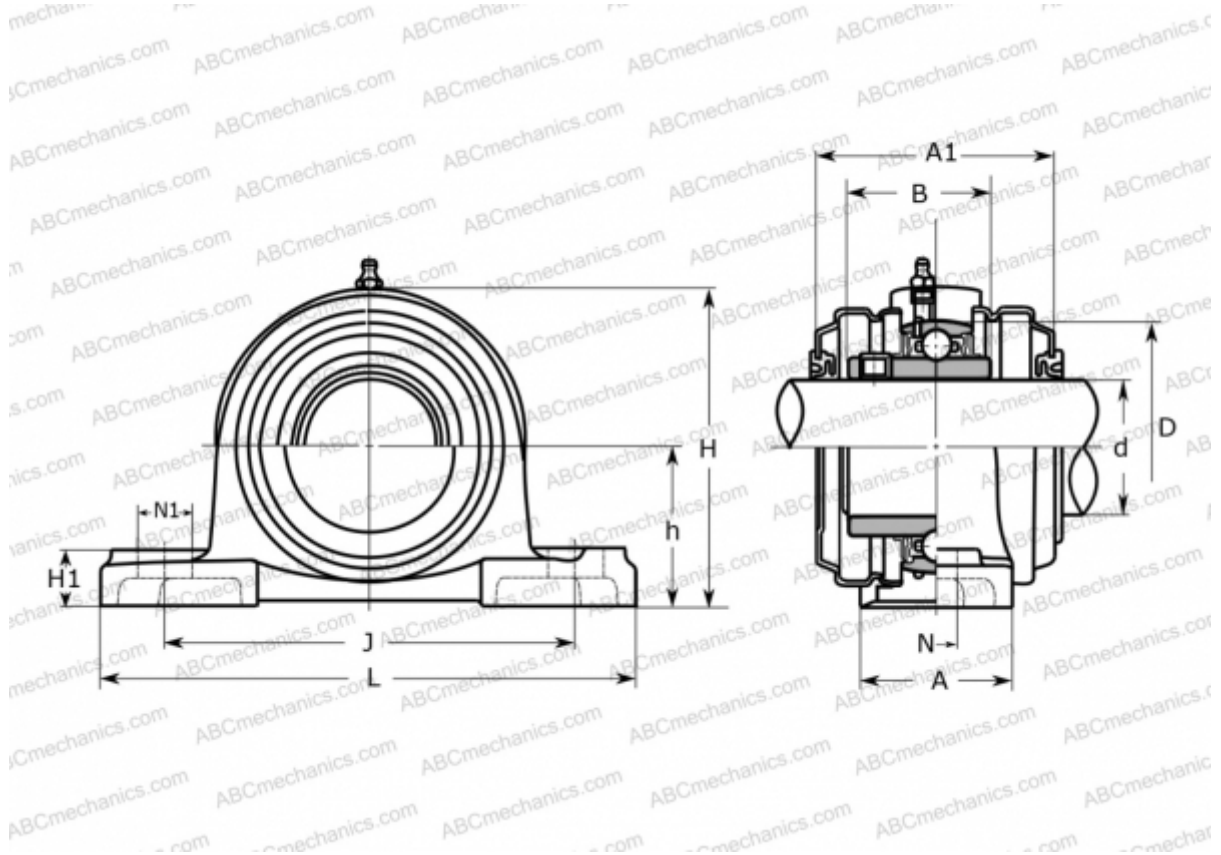


UCP 206C ASAHI

Ball bearing units

TYPE: Housing units, Plummer block, Cast iron housing, Radial insert ball bearing with grub screws in inner ring, Type UCP..C with pressed steel covers, open cover (ASAHI)



Technical specification

DIMENSIONS, MM

d	30,000
D	62,000
B	38,100
L	165,000
H	83,000
A	48,000
J	121,000
A1	65,000
H1	18,000
N	17,000
N1	21,000
h	42,900

WEIGHT, KG

1,400

Bearing

UC 206

Housing

P 206C

MANUFACTURER

[ASAHI](#)