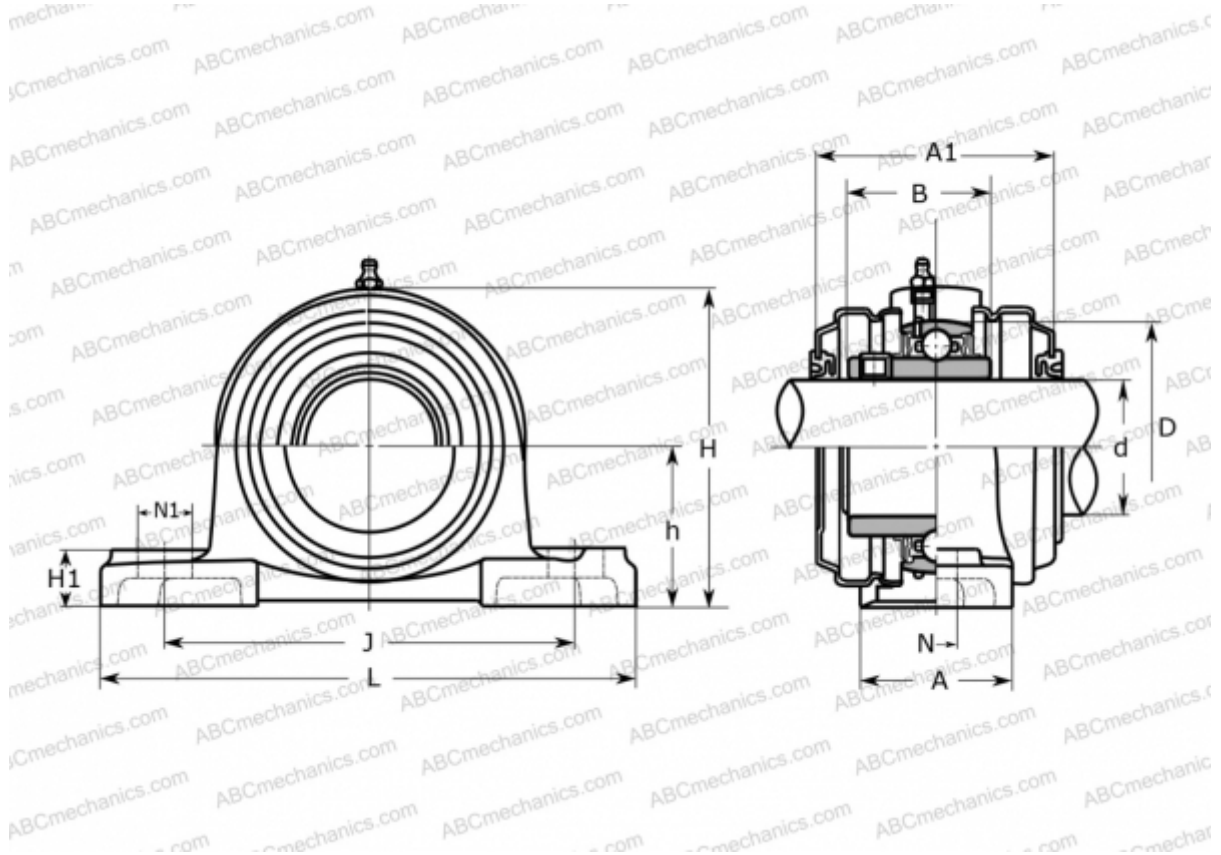


## UCP 208C ASAHI

Ball bearing units

TYPE: Housing units, Plummer block, Cast iron housing, Radial insert ball bearing with grub screws in inner ring, Type UCP..C with pressed steel covers, open cover (ASAHI)



### Technical specification

#### DIMENSIONS, MM

|    |         |
|----|---------|
| d  | 40,000  |
| D  | 80,000  |
| B  | 49,200  |
| L  | 184,000 |
| H  | 100,000 |
| A  | 54,000  |
| J  | 137,000 |
| A1 | 82,000  |
| H1 | 19,000  |
| N  | 17,000  |
| N1 | 25,000  |
| h  | 49,200  |

#### WEIGHT, KG

2,200

|         |        |
|---------|--------|
| Bearing | UC 208 |
| Housing | P 208C |

#### MANUFACTURER

[ASAHI](#)