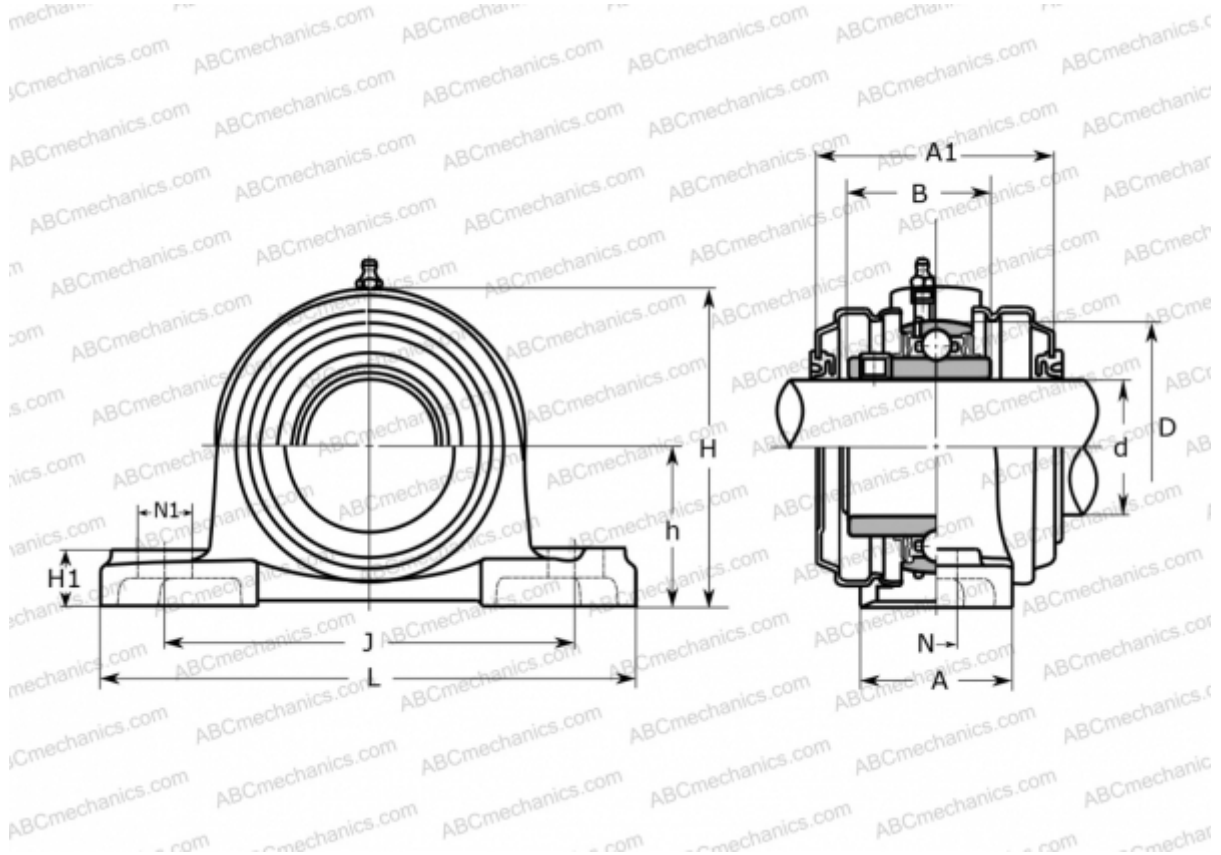


## UCP 210C ASAHI

Ball bearing units

TYPE: Housing units, Plummer block, Cast iron housing, Radial insert ball bearing with grub screws in inner ring, Type UCP..C with pressed steel covers, open cover (ASAHI)



### Technical specification

#### DIMENSIONS, MM

d	50,000
D	90,000
B	51,600
L	206,000
H	114,000
A	60,000
J	159,000
A1	87,000
H1	22,000
N	20,000
N1	25,000
h	57,200

#### WEIGHT, KG

3,000

Bearing

UC 210

Housing

P 210C

#### MANUFACTURER

[ASAHI](#)