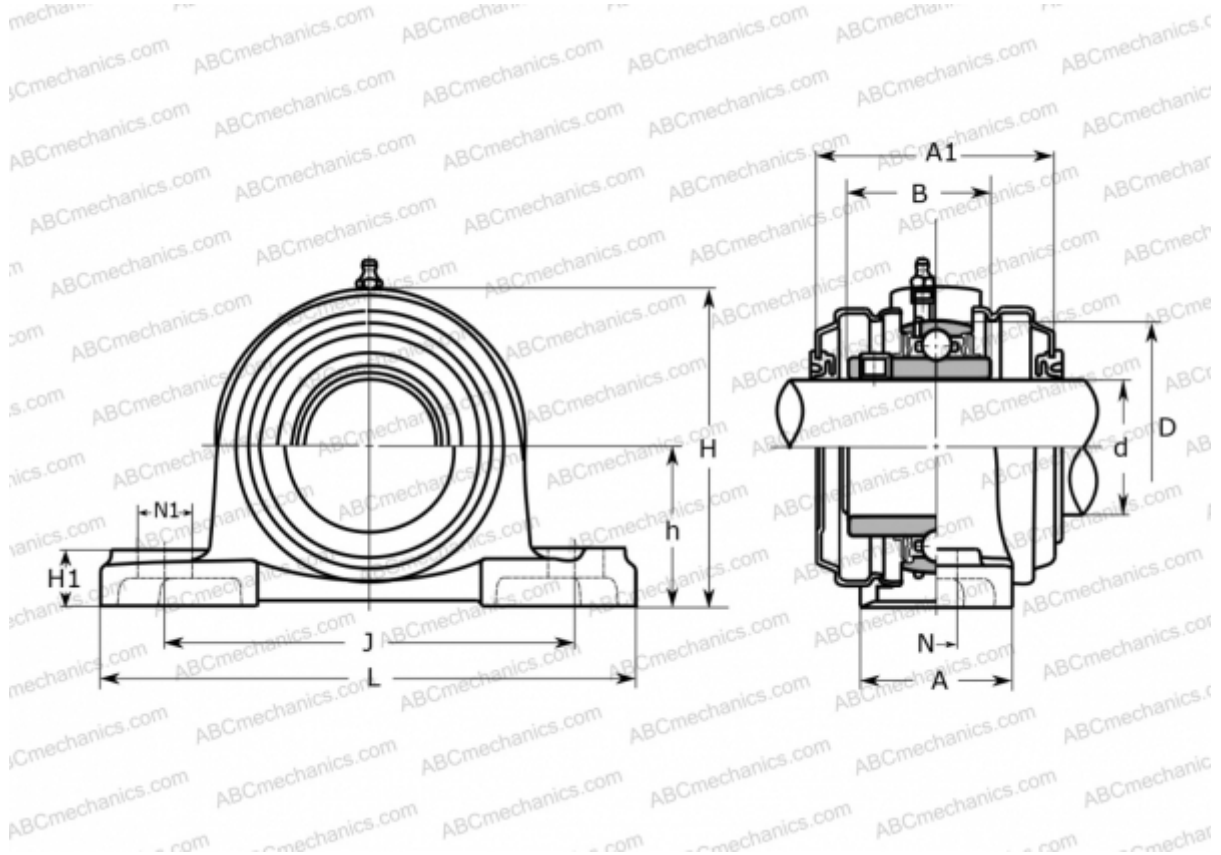


UCP 212E ASAHI

Ball bearing units

TYPE: Housing units, Plummer block, Cast iron housing, Radial insert ball bearing with grub screws in inner ring, Type UCP..E with pressed steel covers, closed cover (ASAHI)



Technical specification

DIMENSIONS, MM

d	60,000
D	110,000
B	65,100
L	241,000
H	138,000
A	70,000
J	184,000
A1	102,000
H1	25,000
N	20,000
N1	25,000
h	69,800

WEIGHT, KG

5,100

Bearing

UC 212

Housing

P 212C

MANUFACTURER

[ASAHI](http://www.asahi.com)