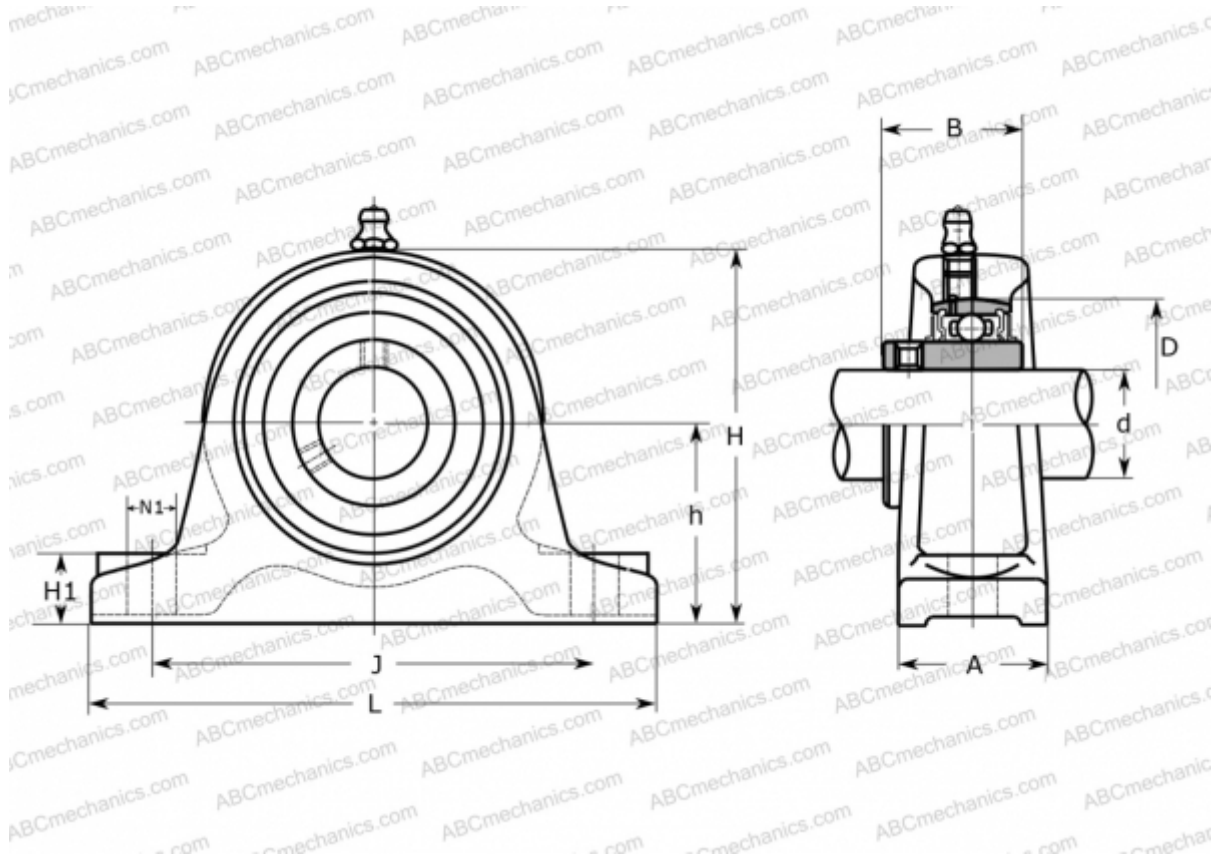


## UCIP 211 ASAHI

Ball bearing units

TYPE: Housing units, Plummer block, Cast iron housing, Radial insert ball bearing with grub screws in inner ring, Type UCIP (ASAHI)



### Technical specification

#### DIMENSIONS, MM

d	55,000
D	100,000
B	55,600
L	230,000
H	148,000
A	60,000
J	180,000
H1	28,000
N1	19,000
h	80,000

#### MANUFACTURER

[ASAHI](http://www.asahi.com)

#### WEIGHT, KG

5,500

Bearing	UC 211
Housing	IP 211