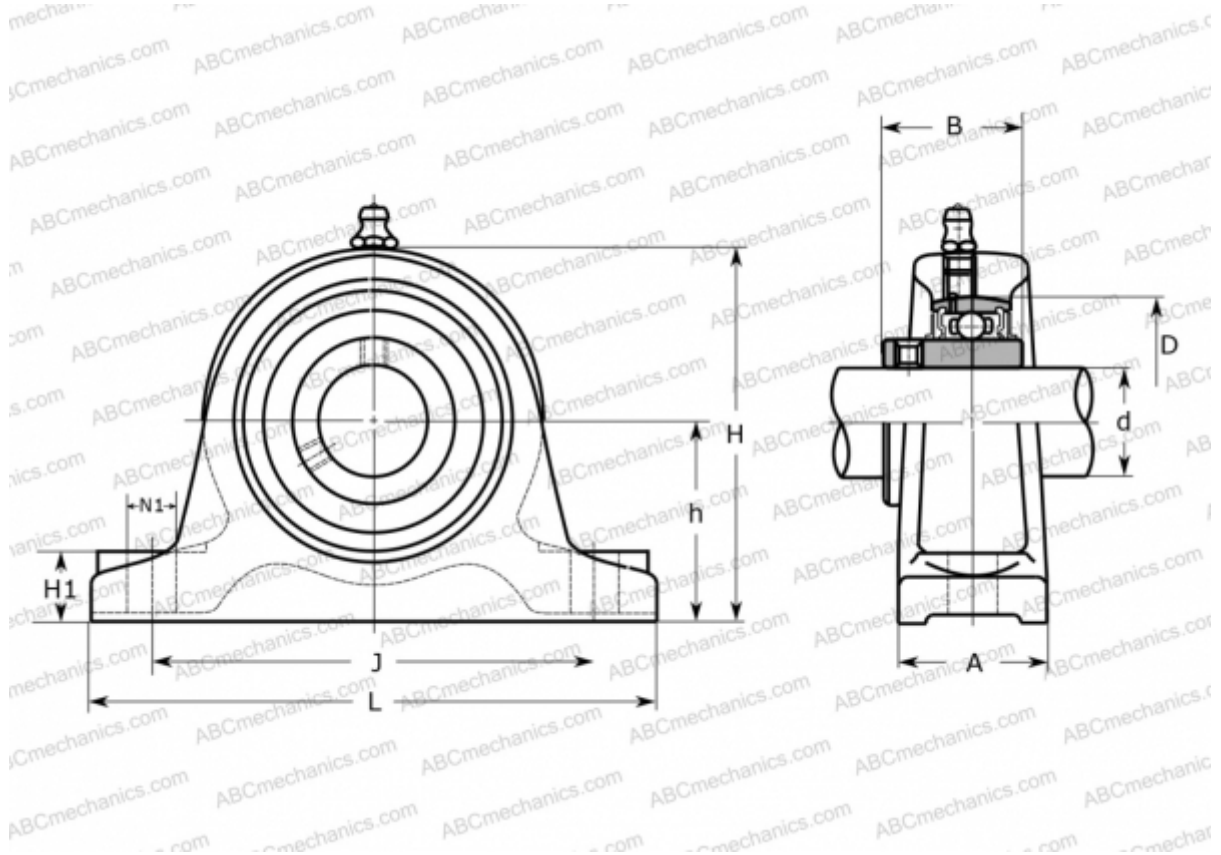


UCIP 313 ASAHI

Ball bearing units

TYPE: Housing units, Plummer block, Cast iron housing, Radial insert ball bearing with grub screws in inner ring, Type UCIP (ASAHI)



Technical specification

DIMENSIONS, MM

d	65,000
D	140,000
B	75,000
L	310,000
H	208,000
A	70,000
J	250,000
H1	30,000
N1	22,000
h	110,000

MANUFACTURER

[ASAHI](http://www.asahi.com)

WEIGHT, KG

12,400

Bearing	UC 313
Housing	IP 313