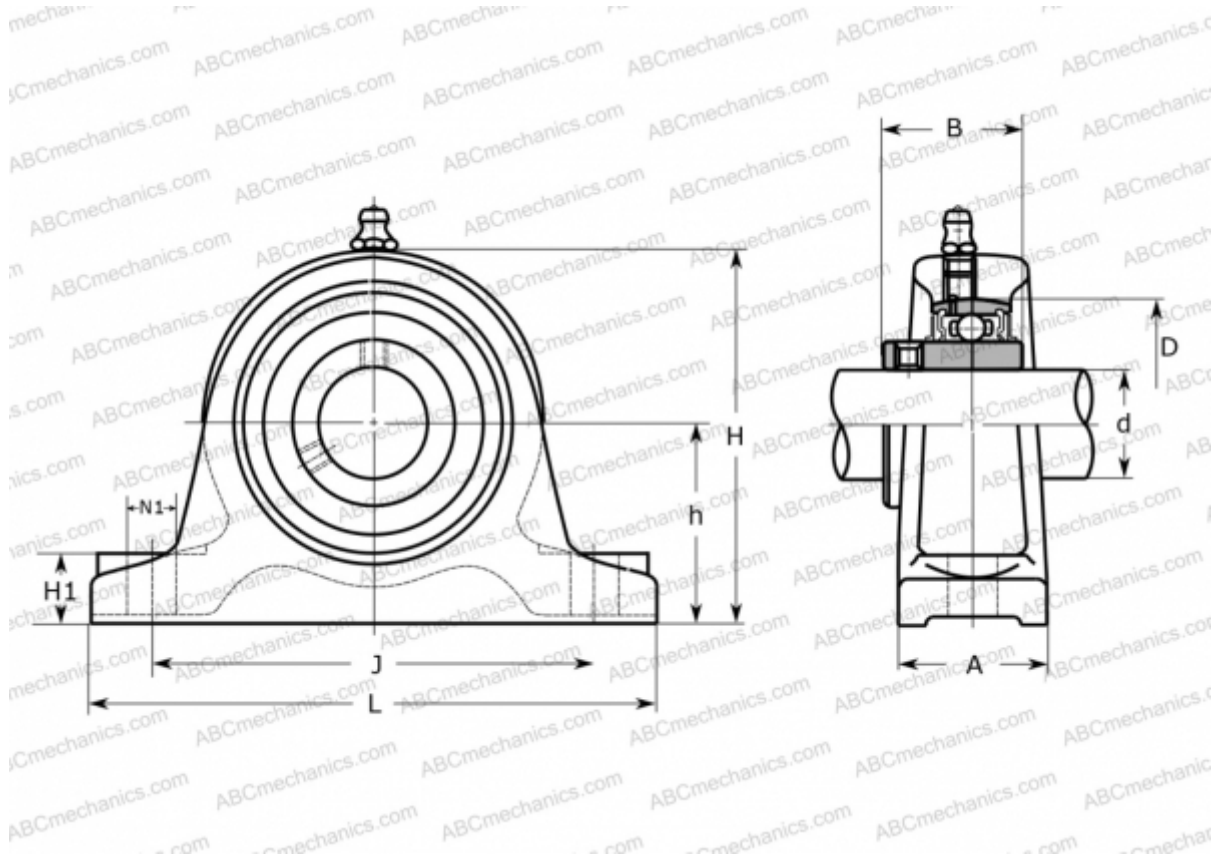


UCIP 322 ASAHI

Ball bearing units

TYPE: Housing units, Plummer block, Cast iron housing, Radial insert ball bearing with grub screws in inner ring, Type UCIP (ASAHI)



Technical specification

DIMENSIONS, MM

d	110,000
D	240,000
B	117,000
L	490,000
H	335,000
A	100,000
J	410,000
H1	50,000
N1	32,000
h	170,000

MANUFACTURER

[ASAHI](#)

WEIGHT, KG

50,400

Bearing	UC 322
Housing	IP 322