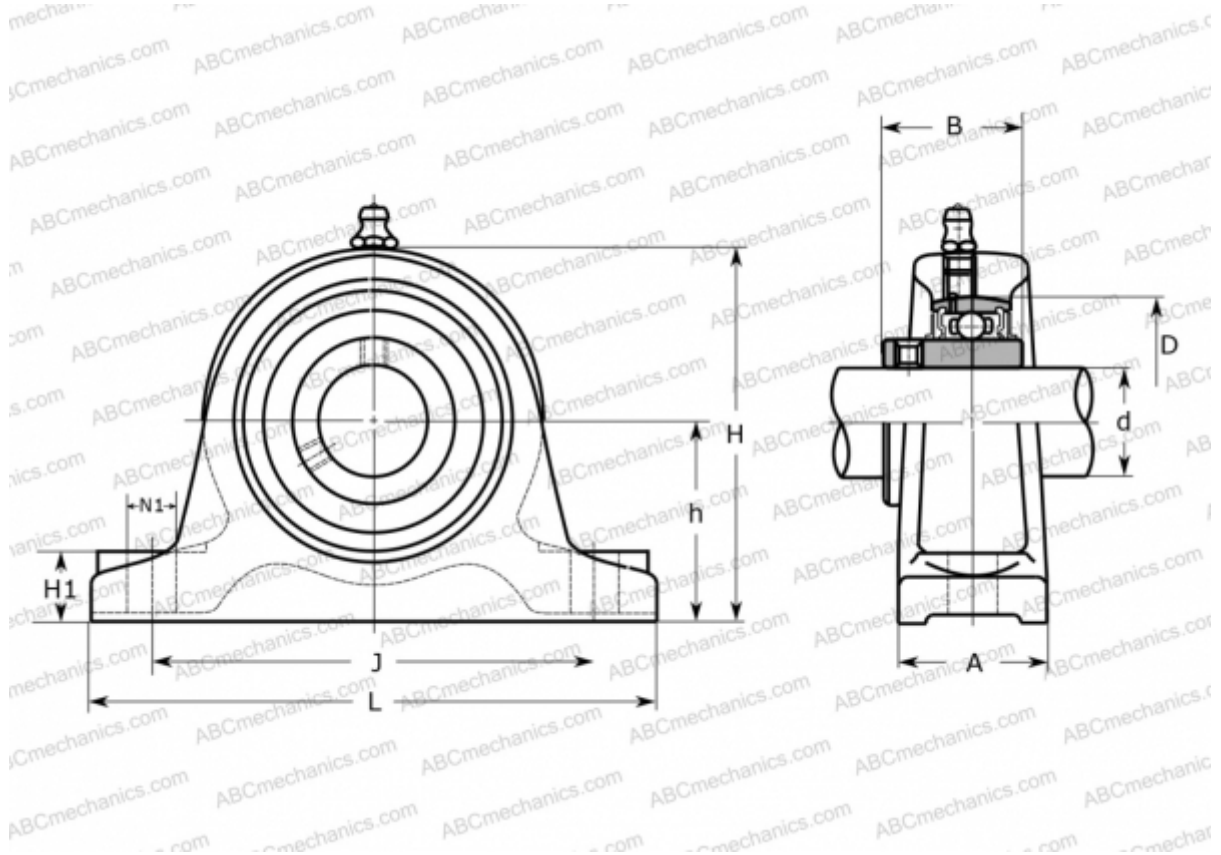


## UCIP 324 ASAHI

Ball bearing units

TYPE: Housing units, Plummer block, Cast iron housing, Radial insert ball bearing with grub screws in inner ring, Type UCIP (ASAHI)



### Technical specification

#### DIMENSIONS, MM

d	120,000
D	260,000
B	126,000
L	510,000
H	345,000
A	100,000
J	430,000
H1	50,000
N1	32,000
h	170,000

#### MANUFACTURER

[ASAHI](#)

#### WEIGHT, KG

56,800

Bearing	UC 324
Housing	IP 324