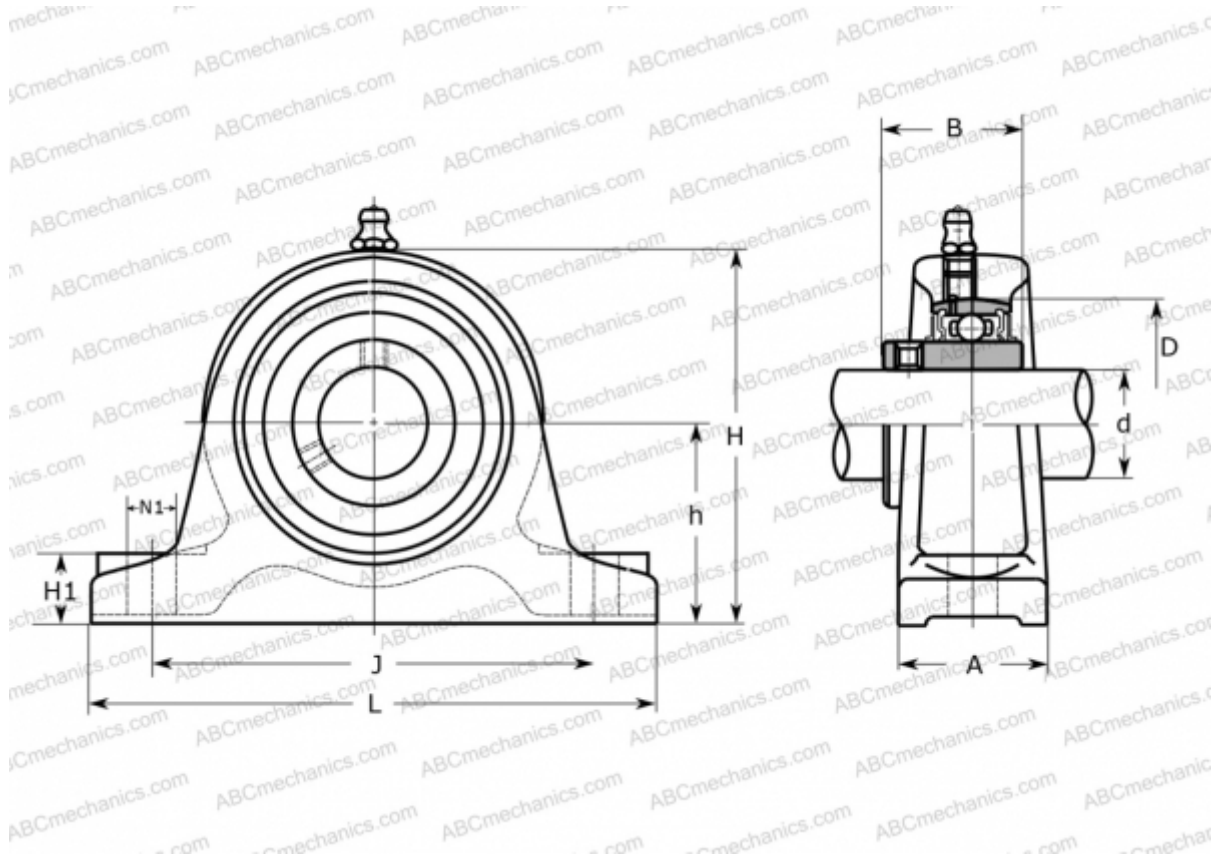


UCIP 326 ASAHI

Ball bearing units

TYPE: Housing units, Plummer block, Cast iron housing, Radial insert ball bearing with grub screws in inner ring, Type UCIP (ASAHI)



Technical specification

DIMENSIONS, MM

| | |
|----|---------|
| d | 130,000 |
| D | 280,000 |
| B | 135,000 |
| L | 550,000 |
| H | 390,000 |
| A | 110,000 |
| J | 470,000 |
| H1 | 50,000 |
| N1 | 32,000 |
| h | 200,000 |

MANUFACTURER

[ASAHI](#)

WEIGHT, KG

73,200

| | |
|---------|--------|
| Bearing | UC 326 |
| Housing | IP 326 |