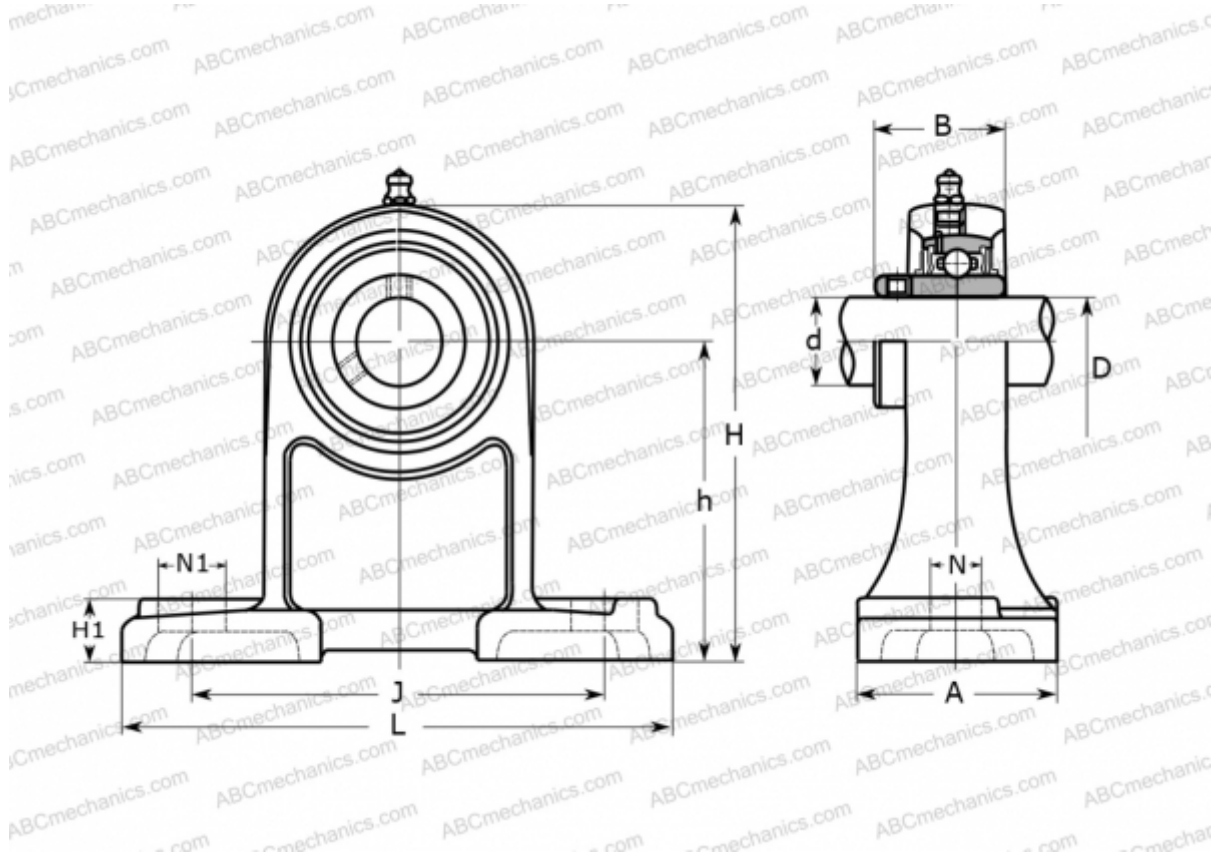


## UCPH 206 ASAHI

Ball bearing units

TYPE: Housing units, Plummer block, Cast iron housing, Radial insert ball bearing with grub screws in inner ring, Type UCPH (ASAHI)



### Technical specification

#### DIMENSIONS, MM

d	30,000
D	62,000
B	38,100
L	165,000
H	130,000
A	50,000
J	121,000
H1	18,000
N	17,000
N1	21,000
h	90,000

#### WEIGHT, KG

Housing	1,900
Bearing	UC 206

Housing

PH 206

#### MANUFACTURER

[ASAHI](http://www.asahi.com)