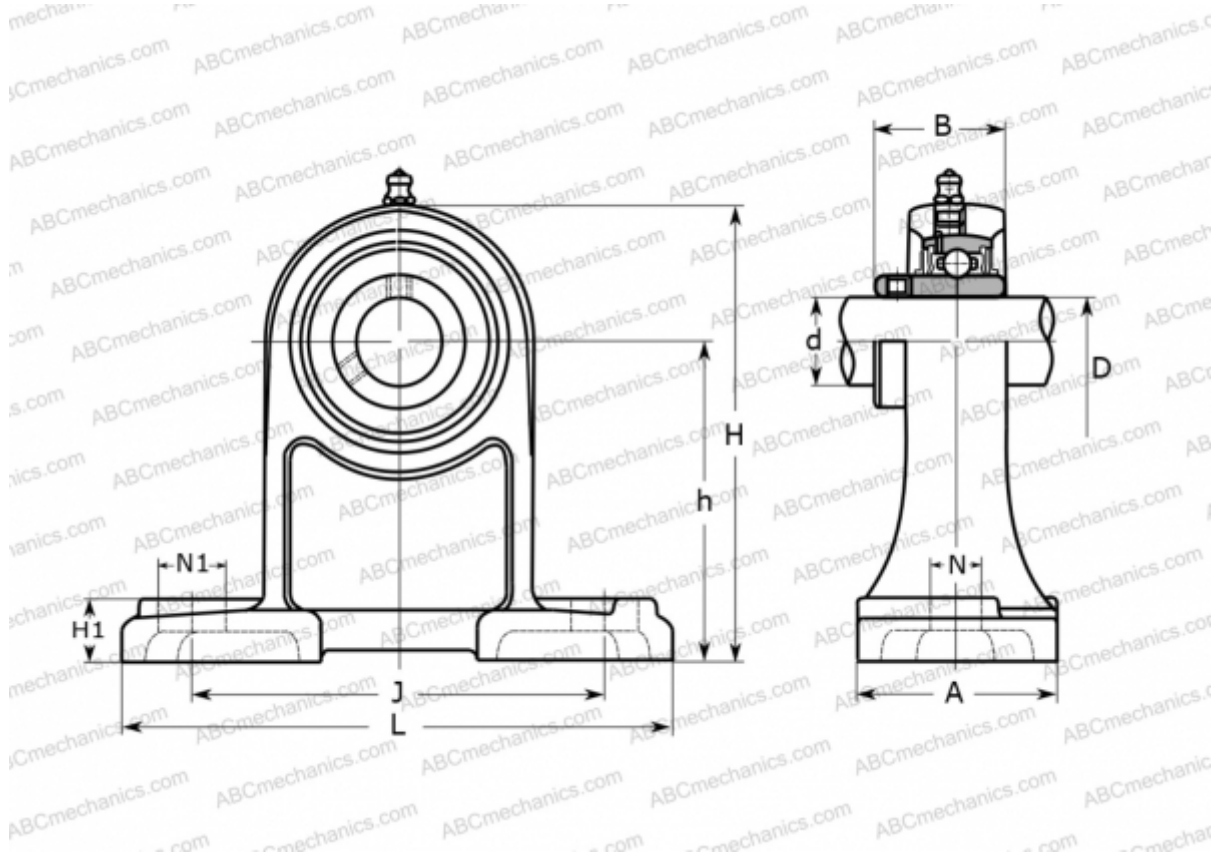


## UCPH 207 ASAHI

Ball bearing units

TYPE: Housing units, Plummer block, Cast iron housing, Radial insert ball bearing with grub screws in inner ring, Type UCPH (ASAHI)



### Technical specification

#### DIMENSIONS, MM

d	35,000
D	72,000
B	42,900
L	167,000
H	140,000
A	60,000
J	127,000
H1	19,000
N	17,000
N1	21,000
h	95,000

#### WEIGHT, KG

Bearing 2,400

UC 207

Housing

PH 207

#### MANUFACTURER

[ASAHI](http://www.asahi.com)