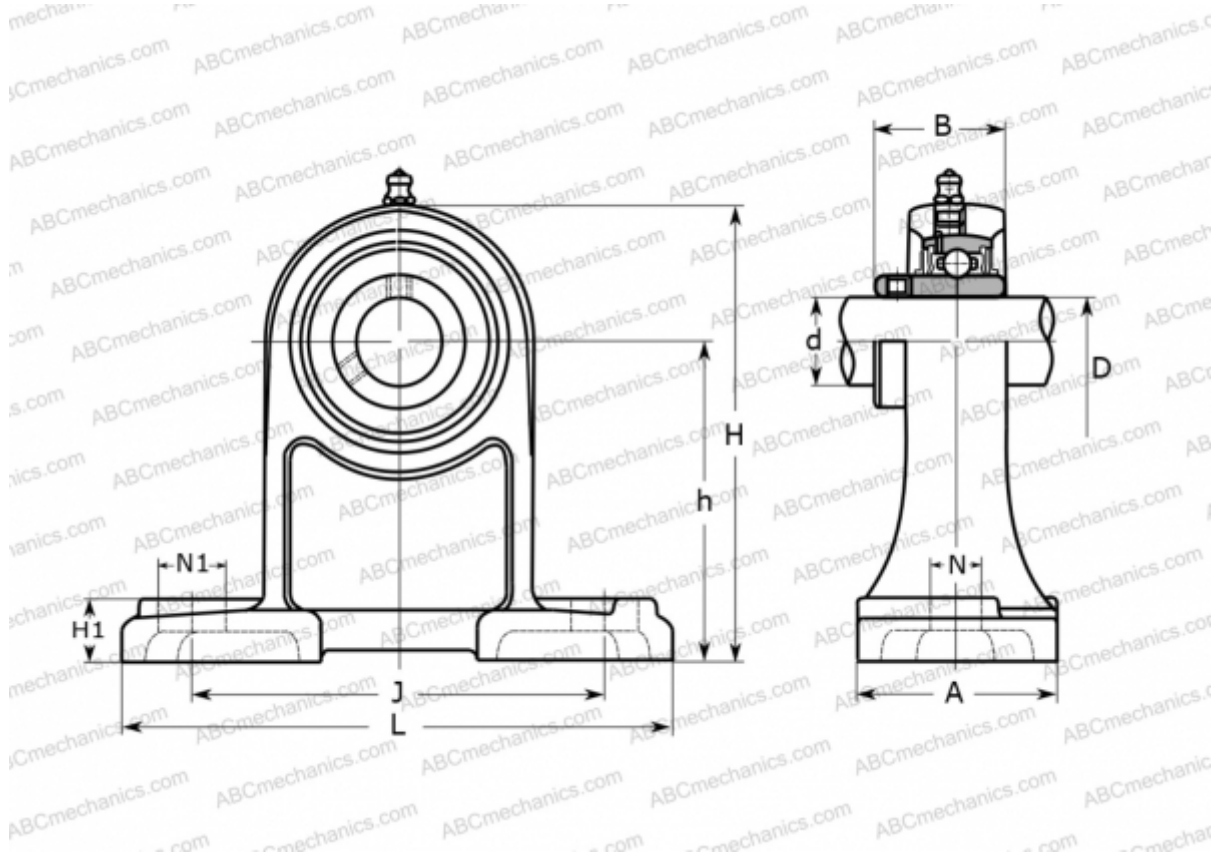


UCPH 208 ASAHI

Ball bearing units

TYPE: Housing units, Plummer block, Cast iron housing, Radial insert ball bearing with grub screws in inner ring, Type UCPH (ASAHI)



Technical specification

DIMENSIONS, MM

d	40,000
D	80,000
B	49,200
L	184,000
H	149,000
A	70,000
J	137,000
H1	19,000
N	17,000
N1	25,000
h	100,000

WEIGHT, KG

Bearing	2,800
	UC 208

Housing

PH 208

MANUFACTURER

[ASAHI](http://www.asahi.com)