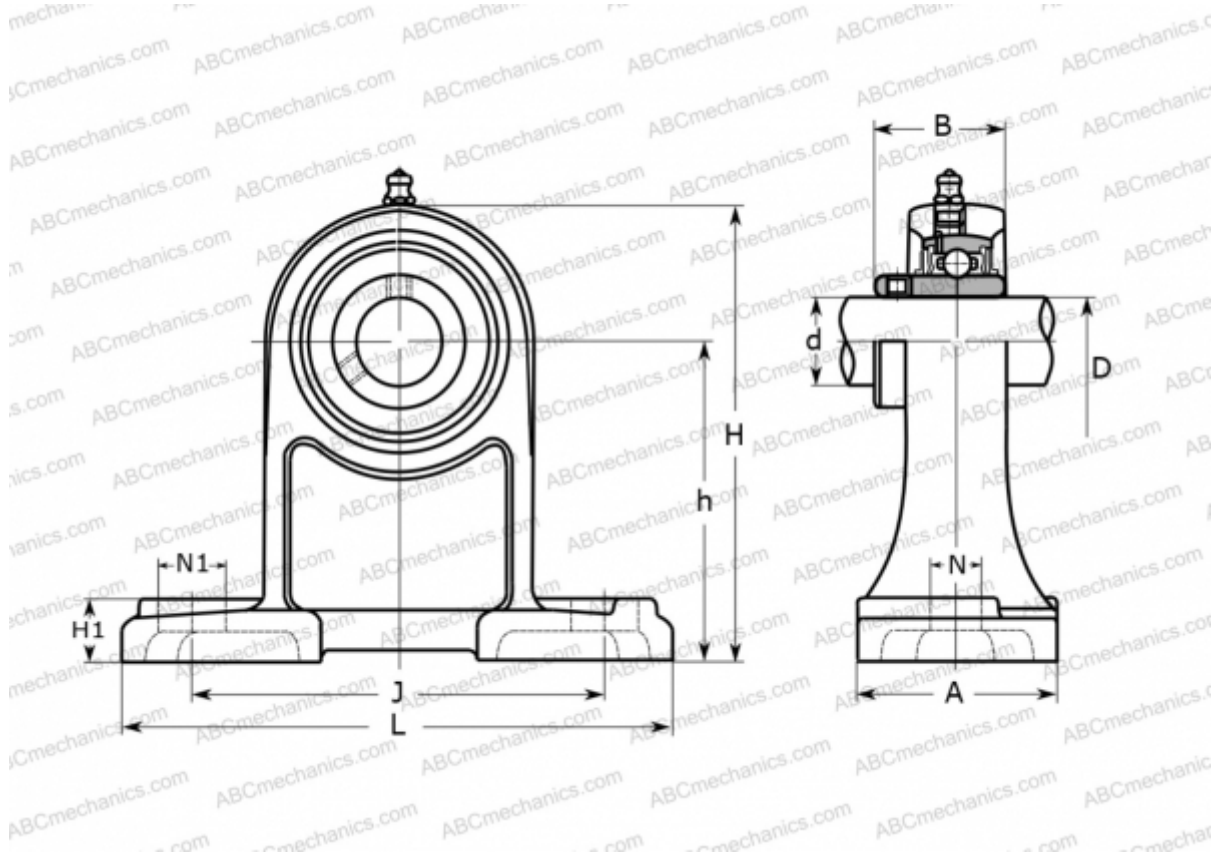


UCPH 210 ASAHI

Ball bearing units

TYPE: Housing units, Plummer block, Cast iron housing, Radial insert ball bearing with grub screws in inner ring, Type UCPH (ASAHI)



Technical specification

DIMENSIONS, MM

d	50,000
D	90,000
B	51,600
L	206,000
H	165,000
A	70,000
J	159,000
H1	22,000
N	20,000
N1	25,000
h	110,000

WEIGHT, KG

	3,600
Bearing	UC 210

Housing

PH 210

MANUFACTURER

[ASAHI](http://www.asahi.com)