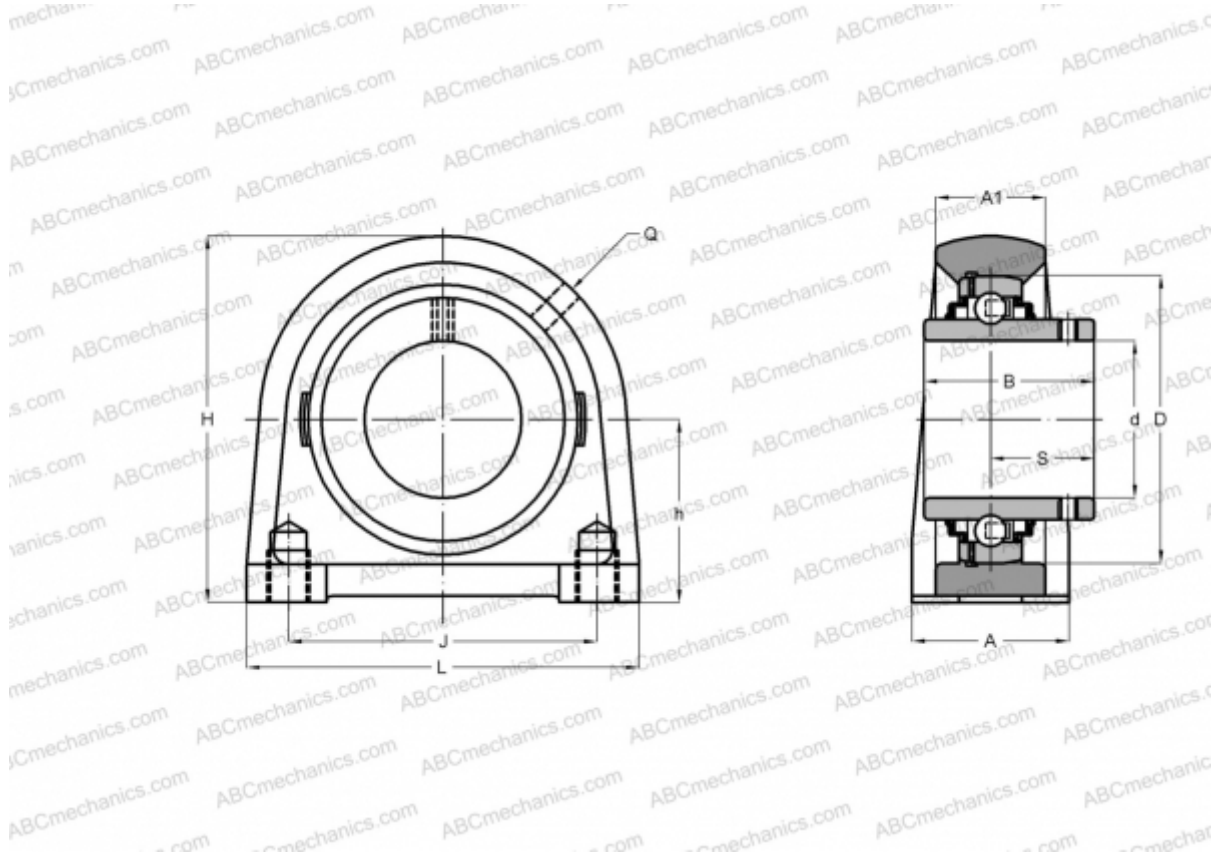


UCPA 208 ASAHI

Ball bearing units

TYPE: Housing units, Plummer block, Narrow cast iron housing, Radial insert ball bearing with grub screws in inner ring, Type UCPA (ASAHI)



Technical specification

DIMENSIONS, MM

d	40,000
D	80,000
B	49,200
L	116,000
H	100,000
A	54,000
J	84,000
S	30,200
h	49,200

WEIGHT, KG

	1,900
Bearing	UC 208
Housing	PA 208

MANUFACTURER

[ASAHI](#)