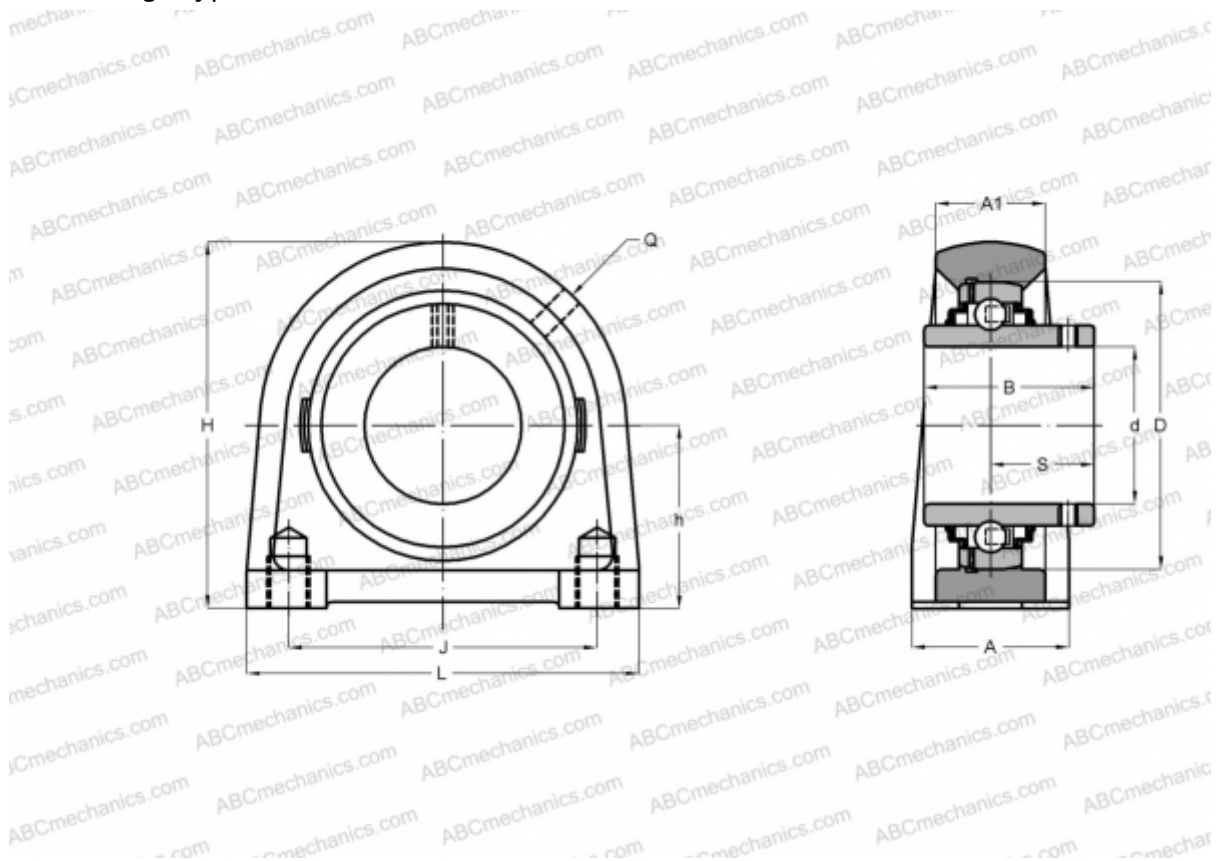


UCPA 210 ASAHI

Ball bearing units

TYPE: Housing units, Plummer block, Narrow cast iron housing, Radial insert ball bearing with grub screws in inner ring, Type UCPA (ASAHI)



Technical specification

DIMENSIONS, MM

d	50,000
D	90,000
B	51,600
L	130,000
H	116,000
A	60,000
J	94,000
S	32,600
h	57,200

MANUFACTURER

[ASAHI](#)

WEIGHT, KG

2,600

Bearing	UC 210
Housing	PA 210