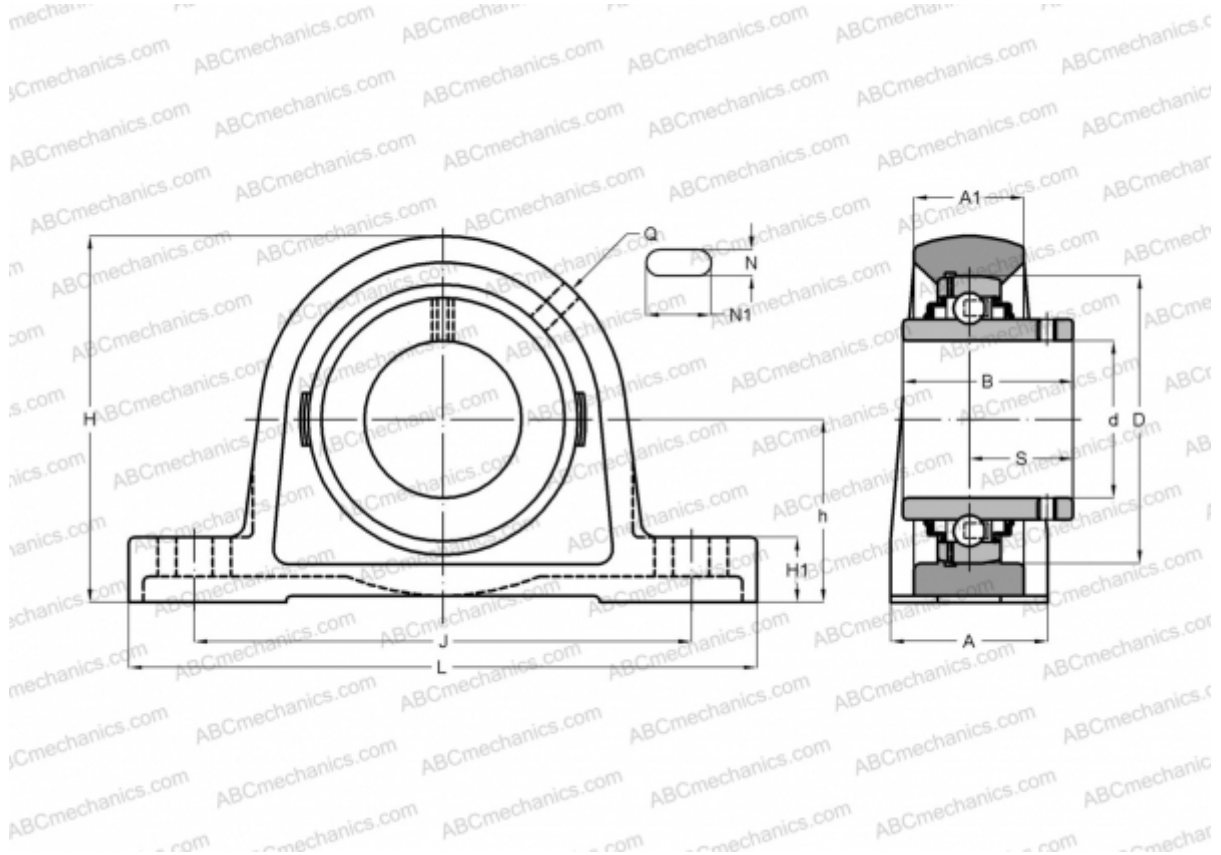


UCRP 203 ASAHI

Ball bearing units

TYPE: Housing units, Plummer block, Rubber housing, Radial insert ball bearing with grub screws in inner ring, Type UCRP (ASAHI)



Technical specification

DIMENSIONS, MM

d	17,000
D	40,000
B	26,000
L	108,000
H	55,000
A	27,000
J	80,000
H1	16,000
N	12,700
S	16,000
h	27,000

WEIGHT, KG

0,210

Bearing

UCW 203

Housing

RP 203

MANUFACTURER

[ASAHI](http://www.asahi.com)