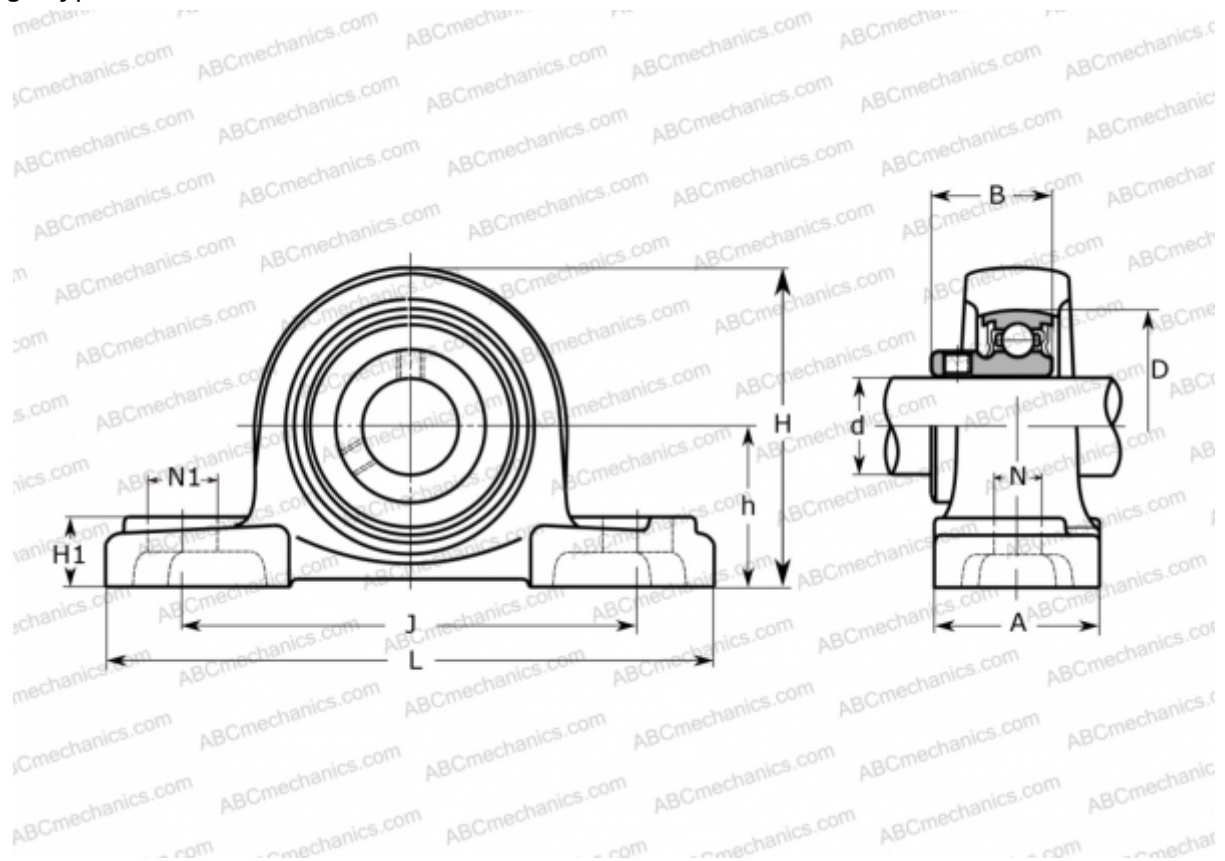


BILP 2J ASAHI

Ball bearing units

TYPE: Housing units, Plummer block, Cast iron housing, Radial insert ball bearing with grub screws in inner ring, Type BLLP (ASAHI)



Technical specification

DIMENSIONS, MM

d	15,000
D	40,000
B	22,000
L	114,000
H	57,000
A	25,000
J	87,000
H1	12,000
N	12,000
N1	16,000
h	30,200

WEIGHT, KG

Bearing	0,380
	B 2

Housing

LLP 3J

MANUFACTURER

[ASAHI](http://ASAHI.com)