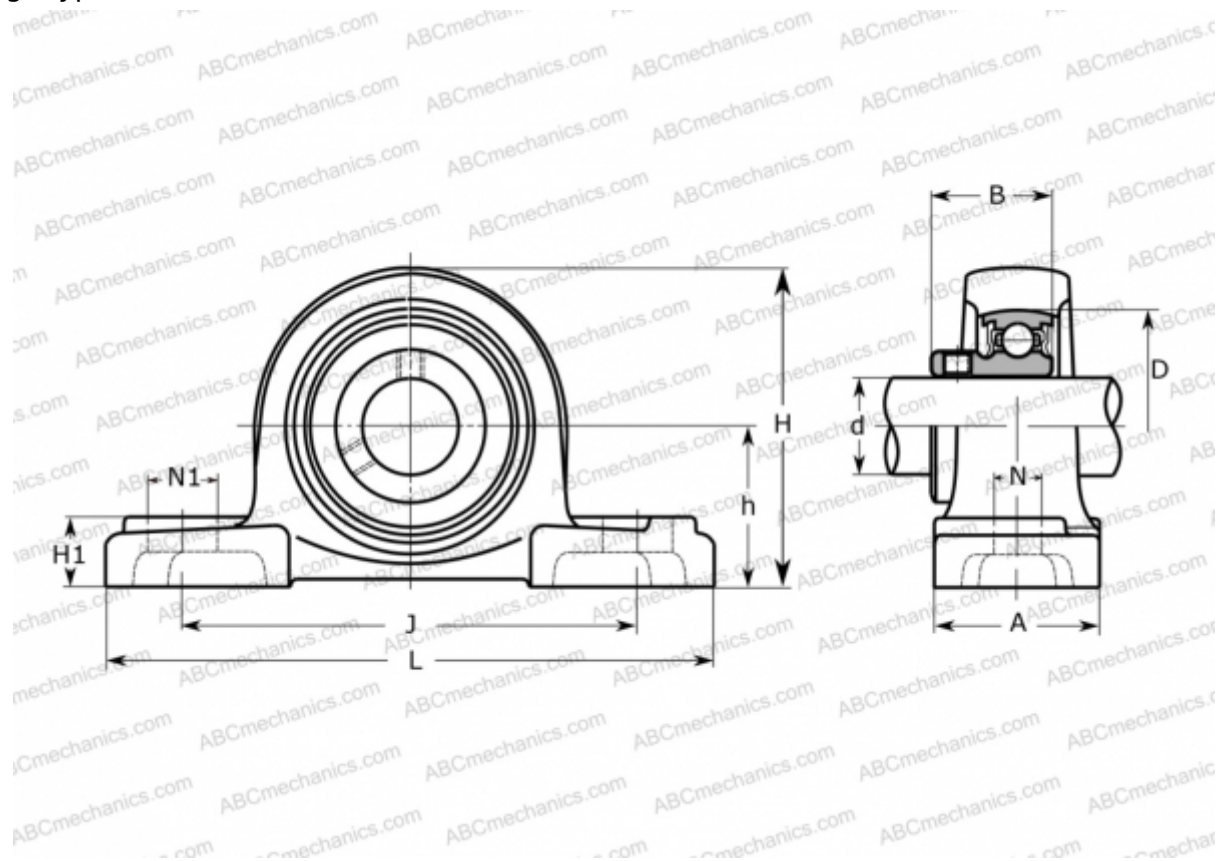


BLLP 6J ASAHI

Ball bearing units

TYPE: Housing units, Plummer block, Cast iron housing, Radial insert ball bearing with grub screws in inner ring, Type BLLP (ASAHI)



Technical specification

DIMENSIONS, MM

d	30,000
D	62,000
B	30,300
L	156,000
H	83,000
A	33,000
J	120,000
H1	15,000
N	14,000
N1	21,000
h	42,900

WEIGHT, KG

0,700

Bearing

B 6

Housing

LLP 6J

MANUFACTURER

[ASAHI](http://www.asahi.com)