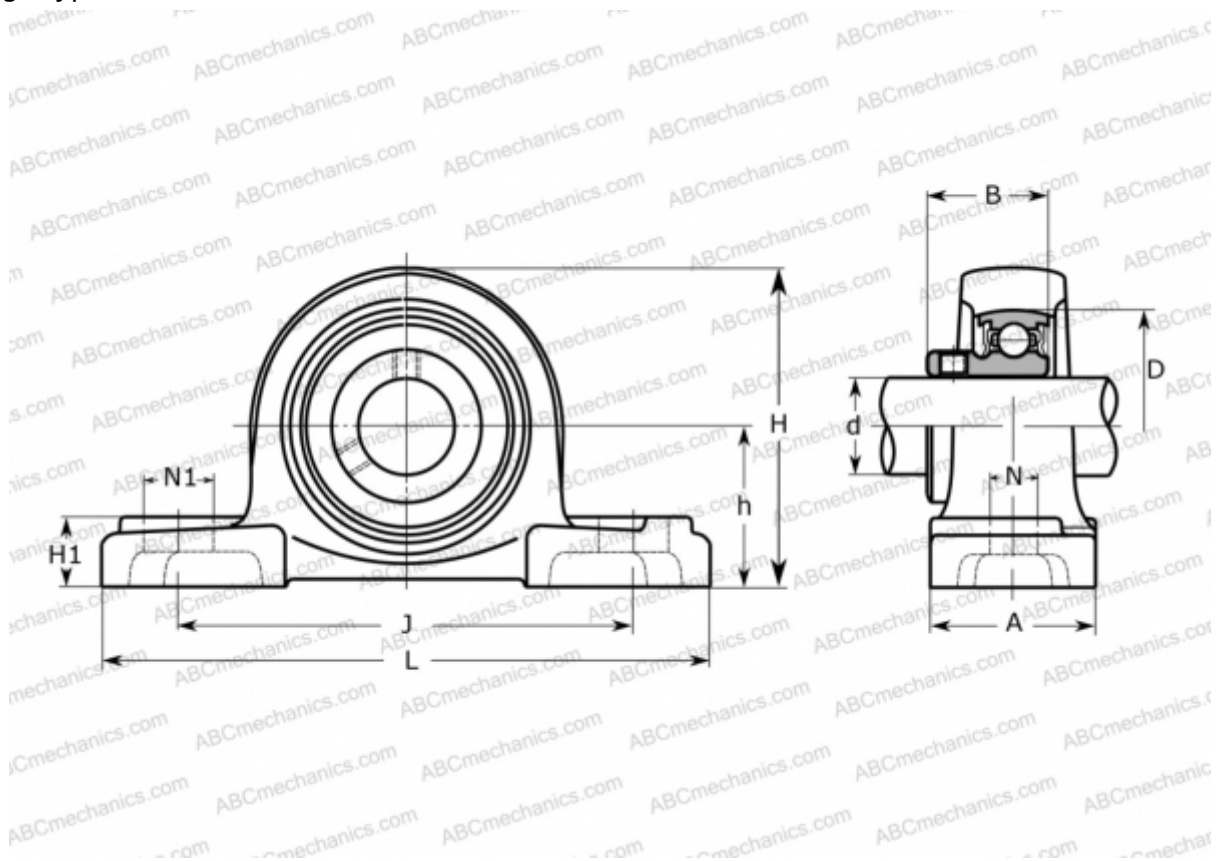


## BLLP 7J ASAHI

Ball bearing units

TYPE: Housing units, Plummer block, Cast iron housing, Radial insert ball bearing with grub screws in inner ring, Type BLLP (ASAHI)



### Technical specification

#### DIMENSIONS, MM

|    |         |
|----|---------|
| d  | 35,000  |
| D  | 72,000  |
| B  | 32,900  |
| L  | 165,000 |
| H  | 93,000  |
| A  | 35,000  |
| J  | 127,000 |
| H1 | 16,000  |
| N  | 14,000  |
| N1 | 21,000  |
| h  | 47,600  |

#### WEIGHT, KG

0,980

Bearing

B 7

Housing

LLP 7J

**MANUFACTURER**

[ASAHI](http://www.asahi.com)